



U-Star's Solid Door Reach-In Refrigerators are constructed of heavy duty stainless steel both inside and out making them strong and durable enough to survive any kitchen environment. The cooling units are bottom mounted and slide out for easy maintenance and cleaning. All models come with 6" casters and plastic coated wire shelving that is easily removable to adjust the shelf height. The front digital controllers and LED readout makes it easy to adjust the interior temperature. These models are ETL Listed and ETL Sanitation. They are backed with a 1 year warranty on parts and labor and a 5 year warranty on the compressor.

### Product Features

- 430 series stainless steel exterior
- 304 series stainless steel interior
- Environmentally-friendly R290 refrigerant
- Self-closing doors
- Specially designed sliding shelf racking system
- Precise digital temperature controller with LED display
- Foamed-in-place polyurethane high density cell insulation throughout the entire cabinet
- Bottom mounted cooling unit that slides out
- Removable door gasket
- Recessed door handles
- (4) 6" casters (2 locking and 2 non-locking)

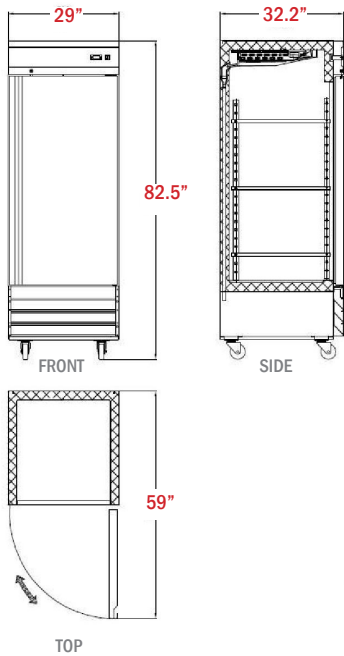


### Specifications

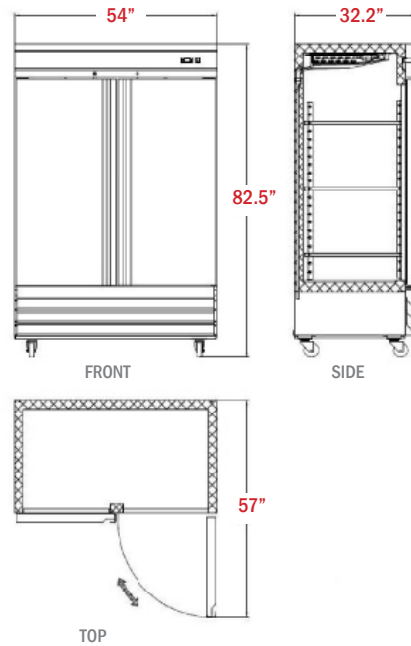
Model Number	USRF-1D	USRF-2D	USRF-3D
Doors	1	2	3
Shelves	3	6	9
Net Volume (Cu. Ft.)	23 Cu. Ft	48 Cu. Ft	72 Cu. Ft
Overall Dimensions (in)	29" x 32" x 82.5"	54" x 32" x 82.5"	81" x 32" x 82.5"
Interior Dimensions (in)	24" x 27" x 60"	49" x 27" x 60"	76" x 27" x 60"
Horsepower	1/5	1/4	3/4
Refrigerant	R290	R290	R290
Voltage/Hertz/Phase	115/60/1	115/60/1	115/60/1
Amps	2.6	3.8	9
Net Weight (lbs)	278 lbs	448 lbs	650 lbs
Gross Weight (lbs)	322 lbs	536 lbs	694 lbs
Shipping Dimensions (in)	31.5" x 35" x 85"	57" x 35" x 85"	83" x 35" x 85"

### Plan Views

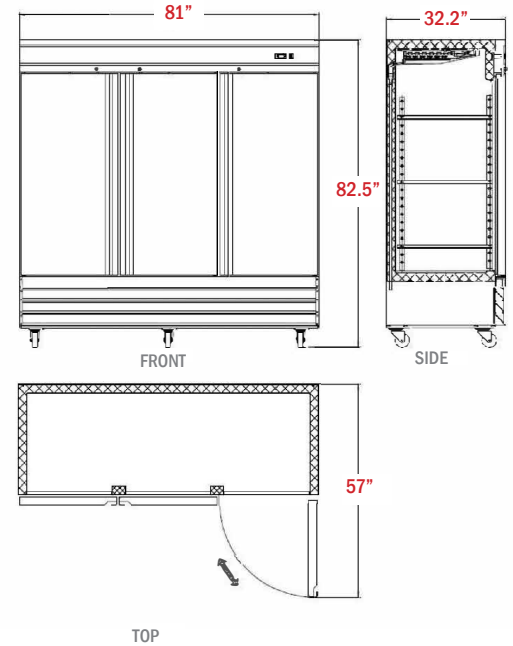
USRF-1D



USRF-2D



USRF-3D



### Features

#### Cooling System

- Refrigeration units use environmentally friendly R290 refrigerant
- Maintain a temperature range of 32°F–41°F
- Bottom mounted cooling unit slides out for easy cleaning and maintenance and allows for storage area on top of the unit
- Rugged built axial evaporator fans run efficiently with low velocity and high volume air flow

#### Electrical Control

- Electric LED temperature controller provides a digital display of cabinet temperatures and allows for easy temperature adjustments when necessary
- Temperature controller initiates automatic defrost schedule for worry free use
- 7 foot power cord with NEMA 5-15 plug



#### Cabinet Construction

- Exterior is constructed of 430 stainless steel including the doors
- Interior is constructed of 304 stainless steel
- The cabinet is insulated throughout with a foamed-in-place high density cell polyurethane insulation

#### Door(s)

- Stainless steel exterior with matching aluminum liner on the inside
- Positive self-closing doors with microswitch that shuts the evaporator fans off when the door is open
- Recessed handles are built into the door for easy opening and closing
- Locking door keep items inside secure after hours
- Stainless steel doors are field reversible

#### Shelving

- Adjustable plastic coated steel shelves that have a load capacity of up to 120 lbs per shelf
- Specially designed stainless steel racking system allows for easy shelf height adjustment and gives the user the ability to slide out the shelf to better reach the food inside

#### Model Features

- Incandescent interior lighting activated by door switch
- 6" casters come standard on all stainless steel models. Two locking and 2 non-locking brakes.



U-Star's Solid Door Reach-In Freezers are constructed of heavy duty stainless steel both inside and out making them strong and durable enough to survive any kitchen environment. The cooling units are bottom mounted and slide out for easy maintenance and cleaning. All models come with 6" casters and plastic coated wire shelving that is easily removable to adjust the shelf height. The front digital controllers and LED readout makes it easy to adjust the interior temperature. These models are ETL Listed and ETL Sanitation. They are backed with a 1 year warranty on parts and labor and a 5 year warranty on the compressor.

### Product Features

- 430 series stainless steel exterior
- 304 series stainless steel interior
- Environmentally-friendly R290 refrigerant
- Self-closing doors
- Specially designed sliding shelf racking system
- Precise digital temperature controller with LED display
- Foamed-in-place polyurethane high density cell insulation throughout the entire cabinet
- Bottom mounted cooling unit that slides out
- Removable door gasket
- Recessed door handles
- (4) 6" casters (2 locking and 2 non-locking)



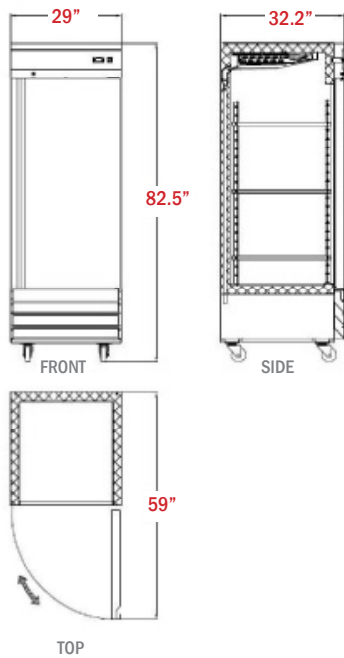
### Specifications



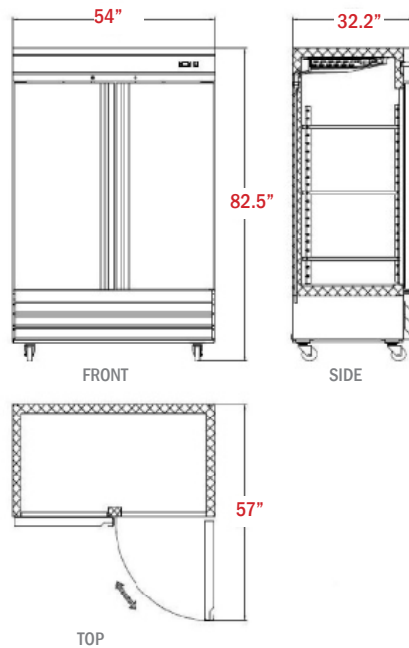
Model Number	USFZ-1D	USFZ-2D	USFZ-3D
Doors	1	2	3
Shelves	3	6	9
Net Volume (Cu. Ft.)	23 Cu. Ft	48 Cu. Ft	72 Cu. Ft
Overall Dimensions (in)	29" x 32" x 82.5"	54" x 32" x 82.5"	81" x 32" x 82.5"
Interior Dimensions (in)	24" x 27" x 60"	49" x 27" x 60"	76" x 27" x 60"
Horsepower	1/2	1	1.25
Refrigerant	R290	R290	R290
Voltage/Hertz/Phase	115/60/1	115/60/1	115/60/1
Amps	7.1	10.7	13.5
Net Weight (lbs)	287 lbs	448 lbs	701 lbs
Gross Weight (lbs)	346 lbs	531 lbs	745 lbs
Shipping Dimensions (in)	31.5" x 35" x 85"	57" x 35" x 85"	83" x 35" x 85"

### Plan Views

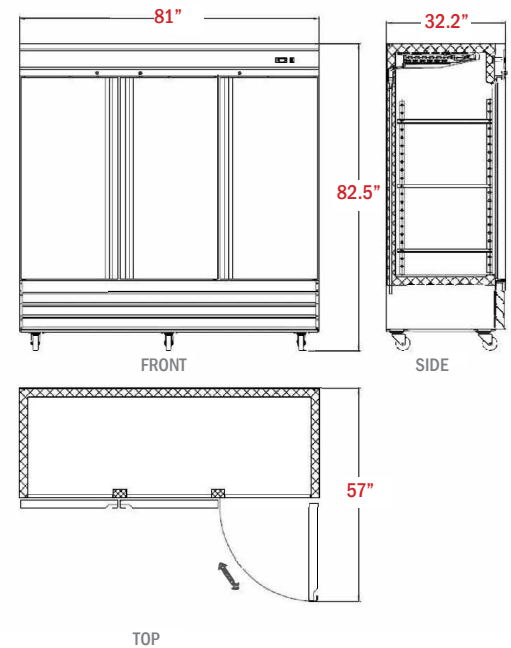
USFZ-1D



USFZ-2D



USFZ-3D



### Features

#### Cooling System

- Freezer units use environmentally friendly R290 refrigerant
- Maintain a temperature range of -7°F - 0°F
- Bottom mounted cooling unit slides out for easy cleaning and maintenance and allows for storage area on top of the unit
- Rugged built axial evaporator fans run efficiently with low velocity and high volume air flow

#### Electrical Control

- Electric LED temperature controller provides a digital display of cabinet temperatures and allows for easy temperature adjustments when necessary
- Temperature controller initiates automatic defrost schedule for worry free use
- 7 foot power cord with NEMA 5-15 plug



#### Cabinet Construction

- Exterior is constructed of 430 stainless steel including the doors
- Interior is constructed of 304 stainless steel
- The cabinet is insulated throughout with a foamed-in-place high density cell polyurethane insulation

#### Door(s)

- Stainless steel exterior with matching aluminum liner on the inside
- Positive self-closing doors with micro-switch that shuts the evaporator fans off when the door is open
- Recessed handles are built into the door for easy opening and closing
- Locking door to keep items inside secure after hours
- Stainless steel doors are field reversible

#### Shelving

- Adjustable plastic coated steel shelves that have a load capacity of up to 120 lbs per shelf
- Specially designed stainless steel racking system allows for easy shelf height adjustment and gives the user the ability to slide out the shelf to better reach the food inside

#### Model Features

- Incandescent interior lighting activated by door switch
- 6" casters come standard on all stainless steel models. 2 locking wheels and 2 non-locking wheels.



U-Star's Salad/Sandwich Prep Tables are constructed of heavy duty stainless steel both inside and out making them strong and durable enough to survive in any kitchen environment. Store all of your condiments, meats and vegetables in the cold topping area that can hold a variety of different sized food pans up to 6" deep. The hinged insulated cover keeps the food items cold when not in service. Store additional items below in the cabinet for quick access when needed. All salad/sandwich prep tables come with 6" casters, plastic coated wire shelving and a 3/4" thick polyethylene cutting board. These models are ETL Listed and ETL Sanitation. They are backed with a 1 year warranty on parts and labor and a 5 year warranty on the compressor.

### Product Features

- 430 series stainless steel exterior
- 304 series stainless steel interior
- Environmentally-friendly R290 refrigerant
- Precise digital temperature controller with LED display
- Foamed-in-place polyurethane high density cell insulation throughout the entire cabinet
- Hinged insulated lid
- Removable door gasket
- Recessed door handles
- 3/4" thick removable polyethylene cutting board
- Clear plastic food pans included
- (4) 6" casters (2 locking and 2 non-locking)



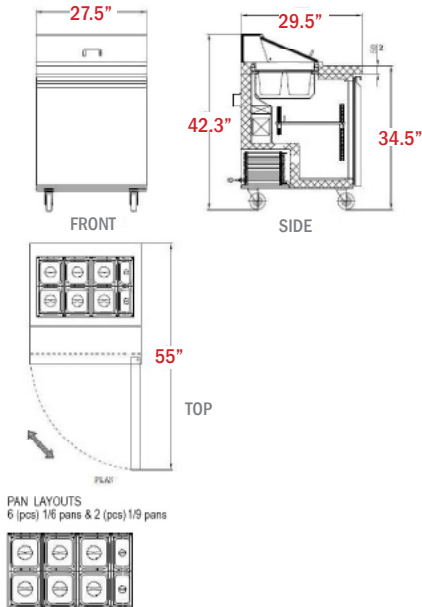
### Specifications



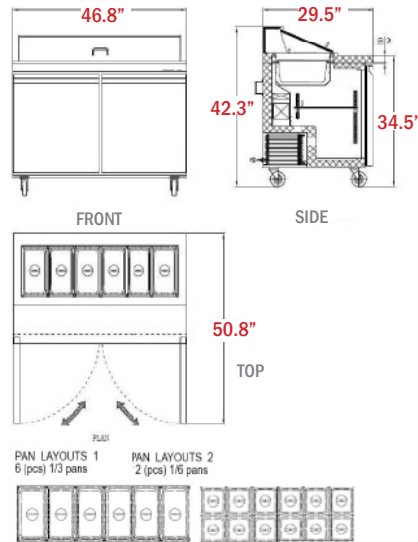
Model Number	USSL-1D	USSL-2D	USSL-2D/60	USSL-3D
Doors	1	2	2	3
Shelves	1	2	2	3
Net Volume (Cu. Ft.)	6 Cu. Ft	12 Cu. Ft	15 Cu. Ft	18 Cu. Ft
Overall Dimensions (in)	27.5"x 30.5" x 42"	47"x 30.5" x 42"	60"x 30.5" x 42"	70"x 30.5" x 42"
Interior Dimensions (in)	24" x 24" x 24"	43" x 24" x 24"	56" x 24" x 24"	66" x 24" x 24"
Horsepower	1/4	1/3	1/3	1/2
Refrigerant	R290	R290	R290	R290
Voltage/Hertz/Phase	115/60/1	115/60/1	115/60/1	115/60/1
Amps	5.3	7.8	8.3	8.8
Net Weight (lbs)	176 lbs	297 lbs	352 lbs	506 lbs
Gross Weight (lbs)	220 lbs	348 lbs	418 lbs	583 lbs
Shipping Dimensions (in)	32" x 34" x 45.5	51" x 34" x 45.5	66" x 34" x 45.5	75" x 34" x 45.5

### Plan Views

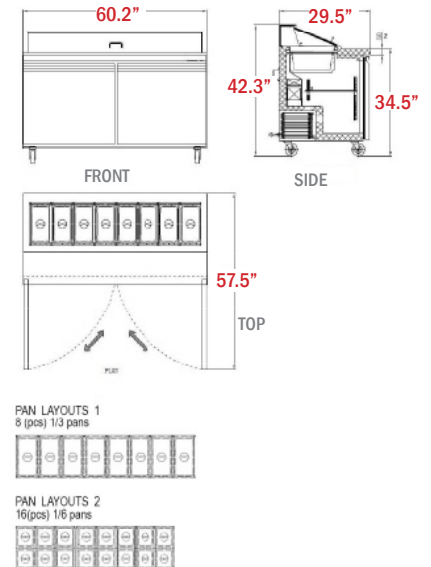
USSL-1D



USSL-2D



USSL-2D/60



### Features

#### Refrigeration System

- Refrigeration units use environmentally friendly R290 refrigerant
- Maintain a temperature range of 32°F–41°F
- Rugged built axial evaporator fans run efficiently with low velocity and high volume air flow

#### Cabinet Construction

- Exterior is constructed of 430 stainless steel including the doors
- Interior is constructed of 304 stainless steel
- The cabinet is insulated throughout with a foamed-in-place high density cell polyurethane insulation

#### Electrical Control

- Electric LED temperature controller provides a digital display of cabinet temperatures and allows for easy temperature adjustments when necessary
- Temperature controller initiates automatic defrost schedule for worry free use
- 7 foot power cord with NEMA 5-15 plug

#### Door(s)

- Stainless steel exterior with matching aluminum liner on the inside
- Positive self-closing doors with microswitch that shuts the evaporator fans off when the door is open
- Recessed handles are built into the door for easy opening and closing
- Removable door gasket for easy cleaning

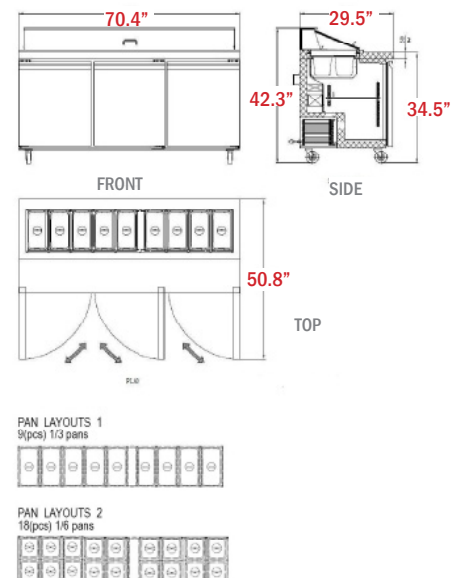
#### Shelving

- Adjustable plastic coated steel shelves that have a load capacity of up to 90 lbs per shelf

#### Model Features

- Insulated hinged lid to keep food cold while not in use
- 6" casters come standard on all stainless steel models 2 locking and 2 non-locking.
- 3/4" thick poly cutting board. Clear plastic food pans included

USSL-3D





U-Star's Mega Top Salad/Sandwich Prep Tables are constructed of heavy duty stainless steel both inside and out making them strong and durable enough to survive in any kitchen environment. Store all of your condiments, meats and vegetables in the cold topping area that can hold a variety of different sized food pans up to 6" deep. The oversized hinged insulated cover keeps the food items cold when not in service. Store additional items below in the cabinet for quick access when needed. All salad/sandwich prep tables come with 6" casters, plastic coated wire shelving and a 3/4" thick polyethylene cutting board. These models are ETL Listed and ETL Sanitation. They are backed with a 1 year warranty on parts and labor and a 5 year warranty on the compressor.

### Product Features

- 430 series stainless steel exterior
- 304 series stainless steel interior
- Environmentally-friendly R290 refrigerant
- Precise digital temperature controller with LED display
- Foamed-in-place polyurethane high density cell insulation throughout the entire cabinet
- Oversized hinged insulated lid
- Removable door gasket
- Recessed door handles
- 3/4" thick removable polyethylene cutting board
- Clear plastic food pans included
- (4) 6" casters (2 locking and 2 non-locking)



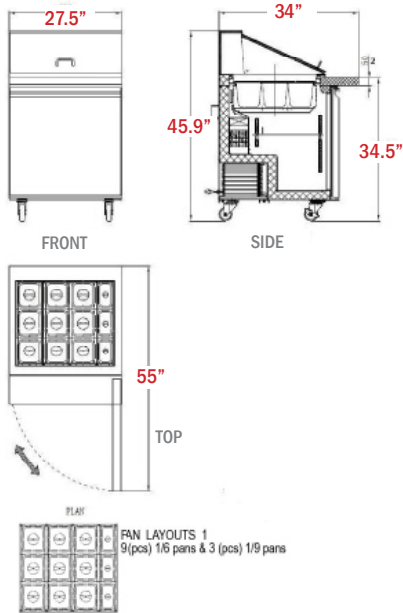
### Specifications



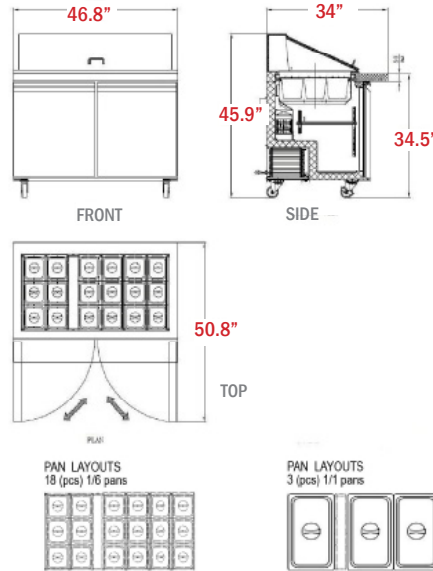
Model Number	USSLM-1D	USSLM-2D	USSLM-2D/60	USSLM-3D
Doors	1	2	2	3
Shelves	1	2	2	3
Net Volume (Cu. Ft.)	6 Cu. Ft	12 Cu. Ft	15 Cu. Ft	18 Cu. Ft
Overall Dimensions (in)	27" x 34" x 46"	47" x 34" x 46"	60" x 34" x 46"	70" x 34" x 46"
Interior Dimensions (in)	24" x 24" x 24"	43" x 24" x 24"	56" x 24" x 24"	66" x 24" x 24"
Horsepower	1/4	1/3	1/3	1/2
Refrigerant	R290	R290	R290	R290
Voltage/Hertz/Phase	115/60/1	115/60/1	115/60/1	115/60/1
Amps	5.3	7.8	7.8	8.8
Net Weight (lbs)	187 lbs	319 lbs	385 lbs	528 lbs
Gross Weight (lbs)	243 lbs	374 lbs	451 lbs	605 lbs
Shipping Dimensions (in)	34.75" x 34" x 49"	51" x 34" x 49"	65.75" x 34" x 49"	74.75" x 34" x 49"

### Plan Views

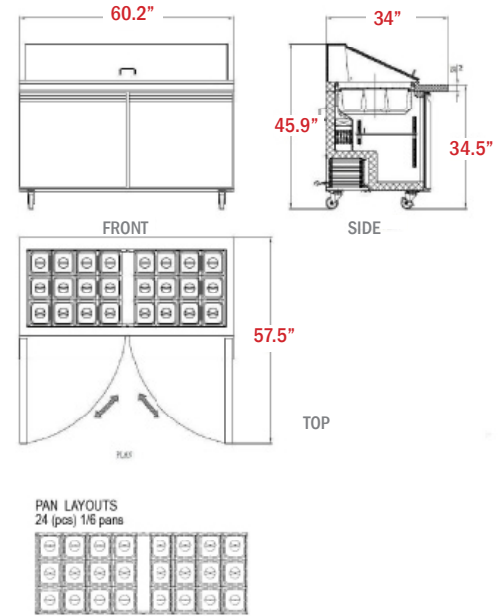
#### USSLM-1D



#### USSLM-2D



#### USSLM-2D/60



### Features

#### Refrigeration System

- Refrigeration units use environmentally friendly R290 refrigerant
- Maintain a temperature range of 32 °F–41 °F
- Rugged built axial evaporator fans run efficiently with low velocity and high volume air flow

#### Cabinet Construction

- Exterior is constructed of 430 stainless steel including the doors
- Interior is constructed of 304 stainless steel
- The cabinet is insulated throughout with a foamed-in-place high density cell polyurethane insulation

#### Electrical Control

- Electric LED temperature controller provides a digital display of cabinet temperatures and allows for easy temperature adjustments when necessary
- Temperature controller initiates automatic defrost schedule for worry free use
- 7 foot power cord with NEMA 5-15 plug

#### Door(s)

- Stainless steel exterior with matching aluminum liner on the inside
- Positive self-closing doors with microswitch that shuts the evaporator fans off when the door is open
- Recessed handles are built into the door for easy opening and closing
- Removable door gasket for easy cleaning

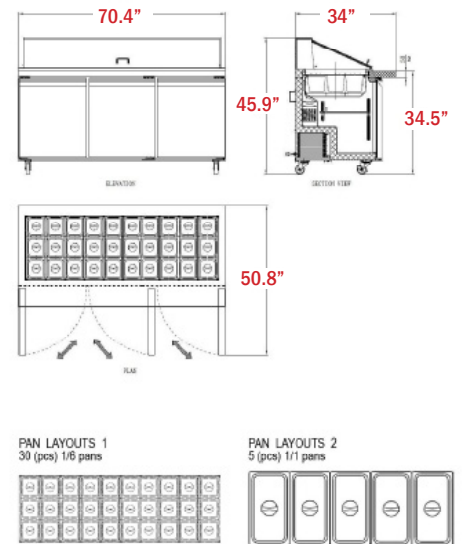
#### Shelving

- Adjustable plastic coated steel shelves that have a load capacity of up to 90 lbs per shelf

#### Model Features

- Insulated hinged lid to keep food cold while not in use
- 6" casters come standard on all stainless steel models 2 locking and 2 non-locking.
- 3/4" thick poly cutting board. Clear plastic food pans included

#### USSLM-3D





## Pizza Prep Tables

U-Star's Pizza Prep Tables are constructed of heavy duty stainless steel both inside and out making them strong and durable enough to survive in any kitchen environment. Store all of your toppings in the refrigerated pan rail that can hold a variety of different sized food pans up to 6" deep. The hinged insulated cover keeps the toppings cold when not in use. Store additional items below in the cabinet for quick access when needed. All pizza prep tables come with 6" casters, plastic coated wire shelving and a 19" extra deep, 3/4" thick polyethylene cutting board. These models are ETL Listed and ETL Sanitation. They are backed with a 1 year warranty on parts and labor and a 5 year warranty on the compressor.

### Product Features

- 430 series stainless steel exterior
- 304 series stainless steel interior
- Environmentally-friendly R290 refrigerant
- Precise digital temperature controller with LED display
- 19" extra deep, 3/4" thick polyethylene cutting board
- Foamed-in-place polyurethane high density cell insulation throughout the entire cabinet
- Hinged insulated lid
- Removable door gasket
- Recessed door handles
- Clear plastic food pans included
- (4) 6" casters (2 locking and 2 non-locking)



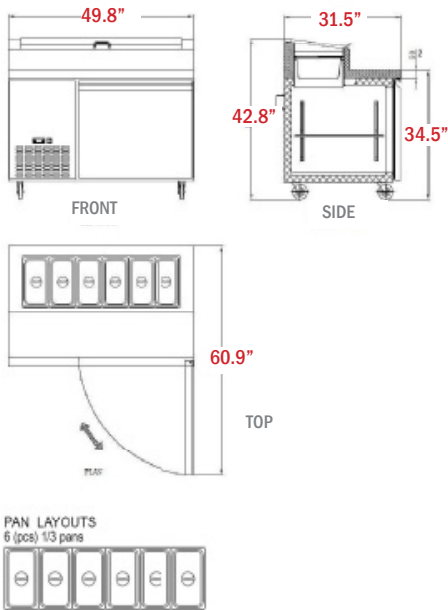
### Specifications



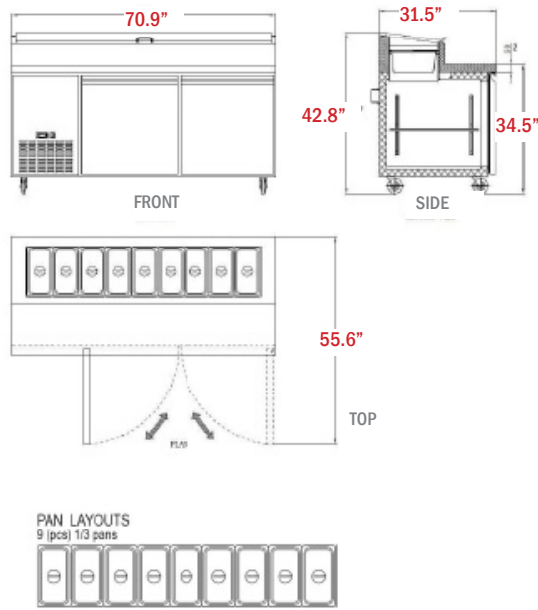
Model Number	USPZ-1D	USPZ-2D	USSPZ-3D
Doors	1	2	2
Shelves	1	2	3
Net Volume (Cu. Ft.)	9 Cu. Ft	16 Cu. Ft	24 Cu. Ft
Overall Dimensions (in)	50" x 32" x 43"	71" x 32" x 43"	92" x 32" x 43"
Interior Dimensions (in)	27" x 23" x 26"	48" x 23" x 26"	70" x 23" x 26"
Horsepower	1/4	1/3	1/2
Refrigerant	R290	R290	R290
Voltage/Hertz/Phase	115/60/1	115/60/1	115/60/1
Amps	6	9.8	10.5
Net Weight (lbs)	287 lbs	418 lbs	441 lbs
Gross Weight (lbs)	331 lbs	475 lbs	485 lbs
Shipping Dimensions (in)	55" x 36" x 46"	76" x 36" x 46"	97" x 36" x 46"

### Plan Views

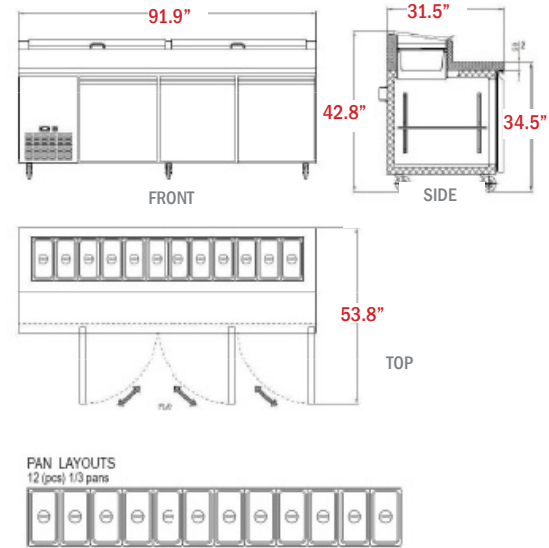
USPZ-1D



USPZ-2D



USPZ-3D



### Features

#### Refrigeration System

- Refrigeration units use environmentally friendly R290 refrigerant
- Maintain a temperature range of 32°F–41°F
- Rugged built axial evaporator fans run efficiently with low velocity and high volume air flow

#### Electrical Control

- Electric LED temperature controller provides a digital display of cabinet temperatures and allows for easy temperature adjustments when necessary
- Temperature controller initiates automatic defrost schedule for worry free use
- 7 foot power cord with NEMA 5-15 plug



#### Cabinet Construction

- Exterior is constructed of 430 stainless steel including the doors
- Interior is constructed of 304 stainless steel
- The cabinet is insulated throughout with a foamed-in-place high density cell polyurethane insulation

#### Door(s)

- Stainless steel exterior with matching aluminum liner on the inside
- Positive self-closing doors with micro-switch that shuts the evaporator fans off when the door is open
- Recessed handles are built into the door for easy opening and closing
- Removable door gasket for easy cleaning

#### Shelving

- Adjustable plastic coated steel shelves that have a load capacity of up to 90 lbs per shelf

#### Model Features

- 19" extra deep, 3/4" thick polyethylene cutting board that runs the full length of the unit
- Insulated hinged lid to keep food cold while not in use
- 6" casters come standard on all stainless steel models 2 locking and 2 non-locking.
- 3/4" thick poly cutting board
- Clear plastic food pans included



U-Star's Undercounter Refrigerators are constructed of heavy duty stainless steel both inside and out making them strong and durable enough to survive in any kitchen environment. These units are perfect for adding more storage space anywhere you need. The flat stainless steel countertop allows for them to be used as a separate workstation. All undercounter units come with 6" casters and plastic coated wire shelving. These models are ETL Listed and ETL Sanitation. They are backed with a 1 year warranty on parts and labor and a 5 year warranty on the compressor.

### Product Features

- 430 series stainless steel exterior
- 304 series stainless steel interior
- Environmentally-friendly R290 refrigerant
- Precise digital temperature controller with LED display
- Foamed-in-place polyurethane high density cell insulation throughout the entire cabinet
- Automatic defrosting
- Removable door gasket
- Recessed door handles
- (4) 6" casters (2 locking and 2 non-locking)

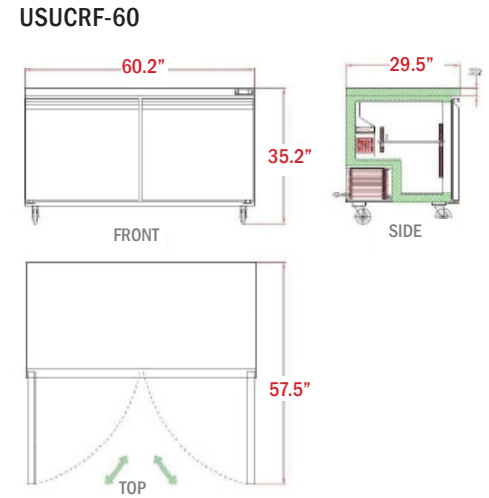
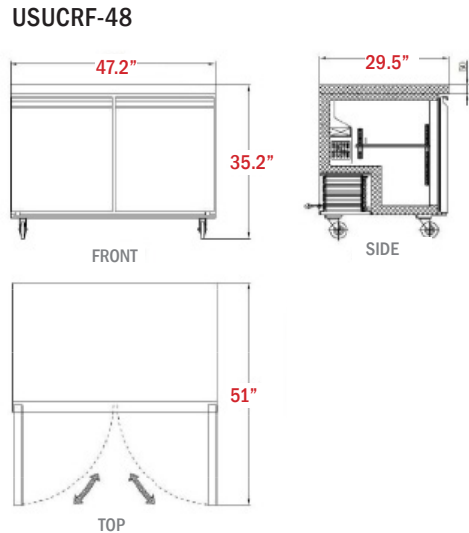
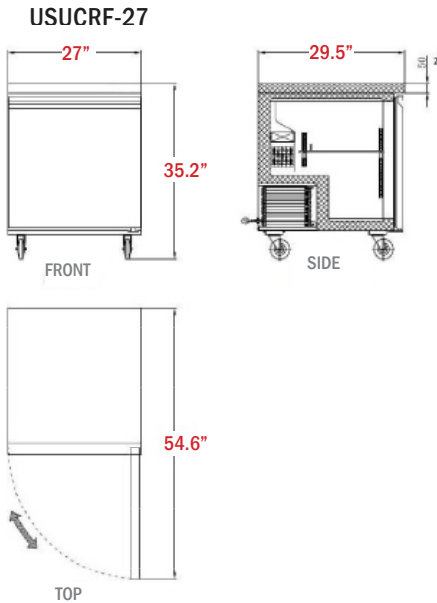


### Specifications



Model Number	USUCRF-27	USUCRF-48	USUCRF-60	USUCRF-72
Doors	1	2	2	3
Shelves	1	2	2	3
Net Volume (Cu. Ft.)	6 Cu. Ft	12 Cu. Ft	18 Cu. Ft	21 Cu. Ft
Overall Dimensions (in)	27" x 29.5" x 35"	48" x 29.5" x 35"	60" x 29.5" x 35"	72" x 29.5" x 35"
Interior Dimensions (in)	22" x 23" x 24"	43" x 23" x 24"	55.5" x 23" x 24"	67" x 23" x 24"
Horsepower	1/5	1/4	1/5	1/5
Refrigerant	R290	R290	R290	R290
Voltage/Hertz/Phase	115/60/1	115/60/1	115/60/1	115/60/1
Amps	1.9	2.7	2.9	3.2
Net Weight (lbs)	159 lbs	231 lbs	280 lbs	320 lbs
Gross Weight (lbs)	203 lbs	276 lbs	324 lbs	364 lbs
Shipping Dimensions (in)	29.5" x 32.5" x 38.5	50" x 32.5" x 38.5	63" x 32.5" x 38.5	67.4" x 32.5" x 38.5

### Plan Views



### Features

#### Refrigeration System

- Refrigeration units use environmentally friendly R290 refrigerant
- Maintain a temperature range of 32 °F–41 °F
- Rugged built axial evaporator fans run efficiently with low velocity and high volume air flow

#### Cabinet Construction

- Exterior is constructed of 430 stainless steel including the doors
- Interior is constructed of 304 stainless steel
- The cabinet is insulated throughout with a foamed-in-place high density cell polyurethane insulation

#### Electrical Control

- Electric LED temperature controller provides a digital display of cabinet temperatures and allows for easy temperature adjustments when necessary
- Temperature controller initiates automatic defrost schedule for worry free use
- 7 foot power cord with NEMA 5-15 plug

#### Door(s)

- Stainless steel exterior with matching aluminum liner on the inside
- Positive self-closing doors with microswitch that shuts the evaporator fans off when the door is open
- Recessed handles are built into the door for easy opening and closing
- Removable door gasket for easy cleaning

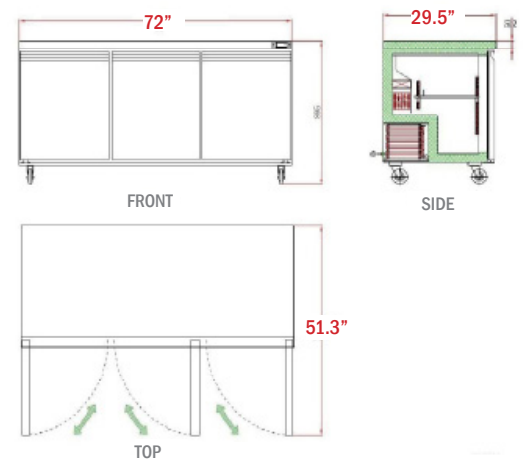
#### Shelving

- Adjustable plastic coated steel shelves that have a load capacity of up to 90 lbs per shelf

#### Model Features

- Insulated hinged lid to keep food cold while not in use
- 6" casters come standard on all stainless steel models 2 locking and 2 non-locking.
- 3/4" thick poly cutting board. Clear plastic food pans included

#### USUCRF-72





U-Star's Undercounter Freezers are constructed of heavy duty stainless steel both inside and out making them strong and durable enough to survive in any kitchen environment. These units are perfect for adding more storage space anywhere you need. The flat stainless steel countertop allows for them to be used as a separate workstation. All undercounter units come with 6" casters and plastic coated wire shelving. These models are ETL Listed and ETL Sanitation. They are backed with a 1 year warranty on parts and labor and a 5 year warranty on the compressor.

### Product Features

- 430 series stainless steel exterior
- 304 series stainless steel interior
- Environmentally-friendly R290 refrigerant
- Precise digital temperature controller with LED display
- Foamed-in-place polyurethane high density cell insulation throughout the entire cabinet
- Automatic defrosting
- Removable door gasket
- Recessed door handles
- (4) 6" casters (2 locking and 2 non-locking)



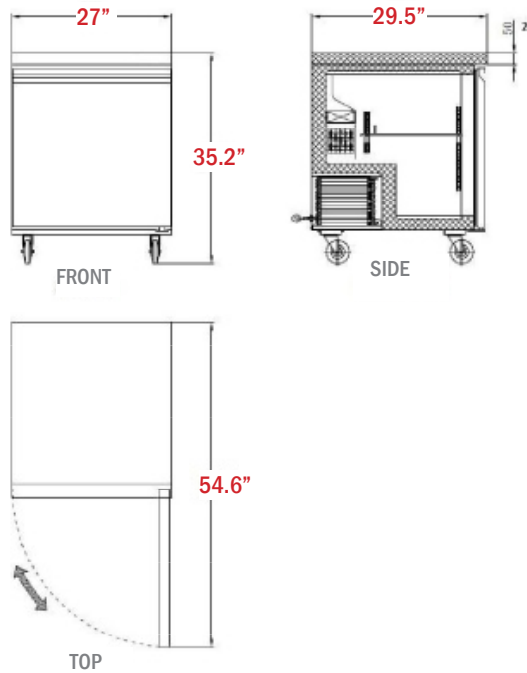
### Specifications



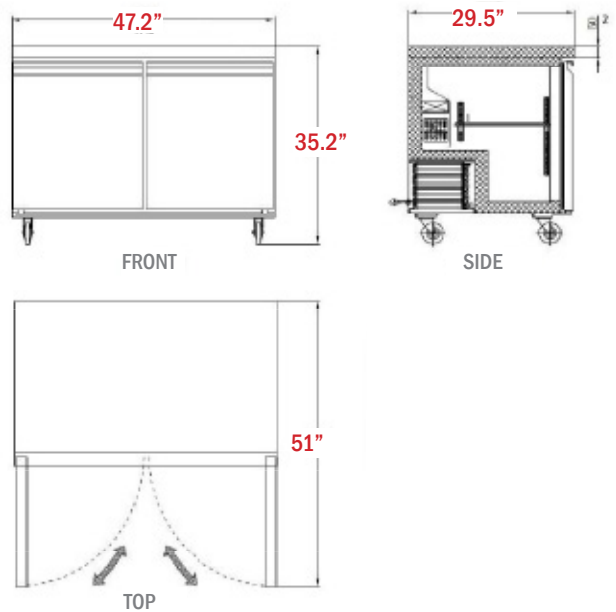
Model Number	USUCFZ-27	USUCFZ-48
Doors	1	2
Shelves	1	2
Net Volume (Cu. Ft.)	6 Cu. Ft.	12 Cu. Ft.
Overall Dimensions (in)	27" x 29.5" x 35"	48" x 29.5" x 35"
Interior Dimensions (in)	22" x 23" x 24"	43" x 23" x 24"
Horsepower	1/5	1/4
Refrigerant	R290	R290
Voltage/Hertz/Phase	115/60/1	115/60/1
Amps	2.1	4.5
Net Weight (lbs)	159 lbs	247 lbs
Gross Weight (lbs)	203 lbs	291 lbs
Shipping Dimensions (in)	29.5" x 32.5" x 38.5	50" x 32.5" x 38.5

### Plan Views

USUCFZ-27



USUCFZ-48



### Features

#### Refrigeration System

- Refrigeration units use environmentally friendly R290 refrigerant
- Maintain a temperature range of -7°F – 0°F
- Rugged built axial evaporator fans run efficiently with low velocity and high volume air flow

#### Electrical Control

- Electric LED temperature controller provides a digital display of cabinet temperatures and allows for easy temperature adjustments when necessary
- Temperature controller initiates automatic defrost schedule for worry free use
- 7 foot power cord with NEMA 5-15 plug

#### Cabinet Construction

- Exterior is constructed of 430 stainless steel including the doors
- Interior is constructed of 304 stainless steel
- The cabinet is insulated throughout with a foamed-in-place high density cell polyurethane insulation

#### Door(s)

- Stainless steel exterior with matching aluminum liner on the inside
- Positive self-closing doors with micro-switch that shuts the evaporator fans off when the door is open
- Recessed handles are built into the door for easy opening and closing
- Removable door gasket for easy cleaning

#### Shelving

- Adjustable plastic coated steel shelves that have a load capacity of up to 90 lbs per shelf

#### Model Feature

- 6" casters come standard on all stainless steel models 2 locking and 2 non-locking.





U-Star's E-Series Solid Door Narrow Depth Reach-In Refrigerators and freezers are constructed of heavy duty stainless steel making them strong and durable enough to survive any kitchen environment. Their narrower design is great for tight areas where space is limited. The cooling units are bottom mounted and slide out for easy maintenance and cleaning. All models come with 6" casters and plastic coated wire shelving that is easily removable to adjust the shelf height. The front digital controllers and LED readout makes it easy to adjust the interior temperature. These models are ETL Listed and ETL Sanitation. They are backed with a 1 year warranty on parts and labor and a 5 year warranty on the compressor.

### Product Features

- 430 series stainless steel exterior
- Painted aluminum interior
- Environmentally-friendly R290 refrigerant
- Self-closing doors
- Precise digital temperature controller with LED display
- Foamed-in-place polyurethane high density cell insulation throughout the entire cabinet
- Bottom mounted cooling unit that slides out
- Removable door gasket
- Recessed door handles
- (4) 6" casters (2 locking and 2 non-locking)

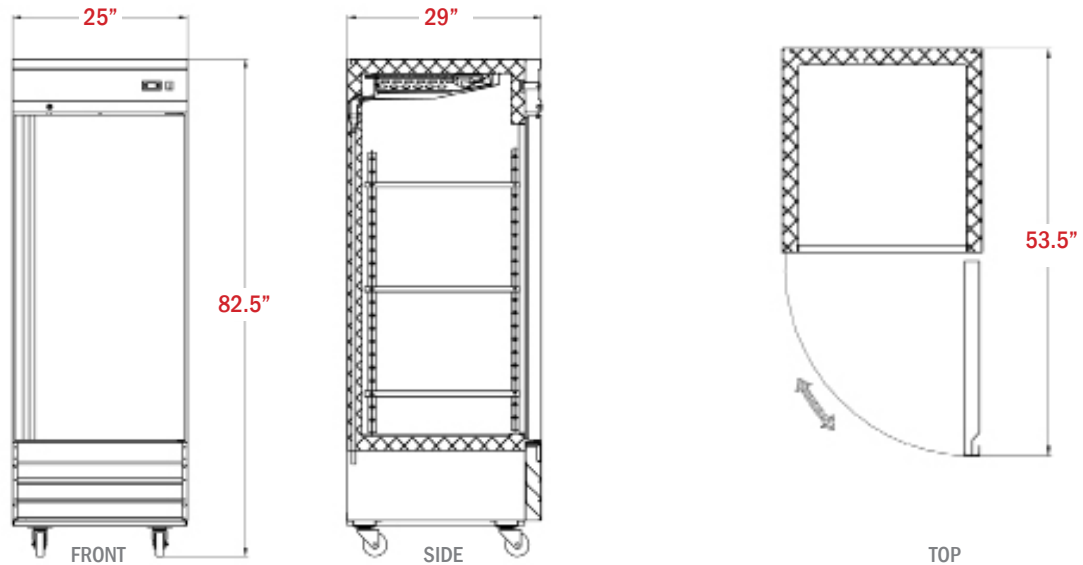
### Specifications



Model Number	USRF-1D/19	USFZ-1D/19
Type	Refrigerator	Freezer
Doors	1	1
Shelves	3	6
Net Volume (Cu. Ft.)	19 Cu. Ft.	19 Cu. Ft.
Overall Dimensions (in)	29" x 25" x 82.5"	29" x 25" x 82.5"
Interior Dimensions (in)	24.5" x 20" x 53.5"	24.5" x 20" x 53.5"
Refrigerant	R290	R290
Horsepower	1/5	1/2
Voltage/Hertz/Phase	115/60/1	115/60/1
Amps	2.8	8.28
Net Weight (lbs)	225 lbs	236 lbs
Gross Weight (lbs)	269 lbs	280 lbs
Shipping Dimensions (in)	30.25" x 27" x 83.5"	30.25" x 27" x 83.5"

### Plan Views

USRF-1D/19  
USFZ-1D/19



### Features

#### Cooling System

- Refrigeration units use environmentally friendly R290 refrigerant that maintain a temperature range of 32°F–41°F
- Freezer units use environmentally friendly R290 refrigerant and maintain a temperature range of -7°F–0°F
- Bottom mounted cooling unit slides out for easy cleaning and maintenance and allows for storage area on top of the unit
- Rugged built axial evaporator fans run efficiently with low velocity and high volume air flow

#### Electrical Control

- Electric LED temperature controller provides a digital display of cabinet temperatures and allows for easy temperature adjustments when necessary
- Temperature controller initiates automatic defrost schedule for worry free use
- 7 foot power cord with NEMA 5-15 plug



#### Cabinet Construction

- Exterior is constructed of 430 stainless steel including the doors
- Interior is constructed of a painted aluminum liner
- The cabinet is insulated throughout with a foamed-in-place high density cell polyurethane insulation

#### Door(s)

- Stainless steel exterior with aluminum liner on the inside
- Positive self-closing doors with microswitch that shuts the evaporator fans off when the door is open
- Recessed handles are built into the door for easy opening and closing
- Locking door keep items inside secure after hours
- Stainless steel doors are field reversible

#### Shelving

- Adjustable plastic coated steel shelves that have a load capacity of up to 90 lbs per shelf

#### Model Features

- Incandescent interior lighting activated by door switch
- 6" casters come standard on all stainless steel models. 2 locking wheels and 2 non-locking wheels.





U-Star's Bottle Coolers will keep all of your beverages cold and ready to serve. Perfect for any size bar, pub or restaurant that operates in a high volume setting. These bottle coolers have a painted aluminum interior and a black coated steel exterior for a sleek look that goes well with any bar setting. Stainless steel sliding lids on the top allow for easy and quick access to the beverages inside the unit. Plastic coated steel dividers help you keep your beverages organized while the built-in bottle opener and cap catcher will keep your work area clean and free of debris on the floor. The lids are lockable so that the beverages inside the unit stay safe after hours. These models are ETL Listed and ETL Sanitation. They are backed with a 1 year warranty on parts and labor and a 5 year warranty on the compressor.

Model Number	USBC-25	USBC-50	USBC-65	USBC-95
12 oz. Cans	6 Cases	24 Cases	32 Cases	37 Cases
12 oz. Bottles	4 Cases	16 Cases	22 Cases	55 Cases

### Product Features

- Black coated steel exterior
- Painted aluminum interior
- Environmentally-friendly R290 refrigerant
- Foamed-in-place polyurethane high density cell insulation throughout the entire cabinet
- Lockable stainless steel sliding lids
- Precise digital temperature controller with LED display
- Built-in bottle opener with cap catcher
- Automatic defrosting
- Plastic coated dividers included



### Specifications

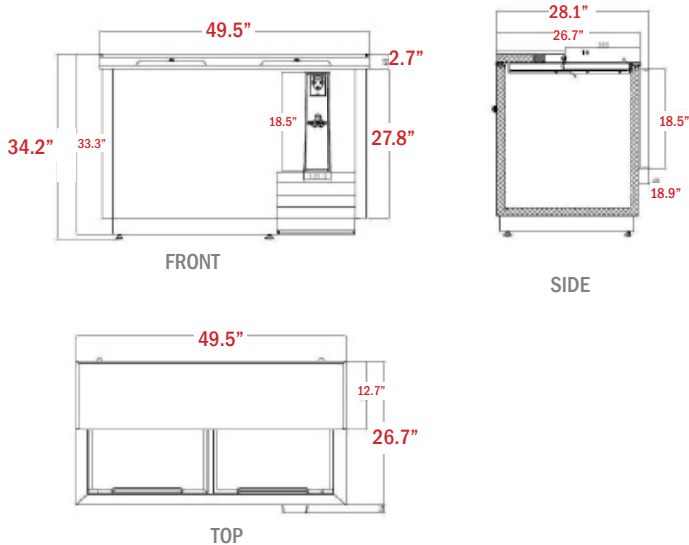


Model Number	USBC-25	USBC-50	USBC-65	USBC-95
Lids	1	2	2	3
Dividers	N/A	3	4	5
Net Volume (Cu. Ft.)	6 Cu. Ft.	13 Cu. Ft.	18 Cu. Ft.	32 Cu. Ft.
Overall Dimensions (in)	25" x 28" x 34"	50" x 28" x 34"	65" x 28" x 34"	95" x 28" x 34"
Interior Dimensions (in)	20" x 26" x 23	45" x 26" x 23	60" x 26" x 23	90" x 26" x 23
Refrigerant	R290	R290	R290	R290
Horsepower	1/6	1/6	1/6	1/4
Voltage/Hertz/Phase	115/60/1	115/60/1	115/60/1	115/60/1
Amps	2.04	2.28	2.6	4.2
Net Weight (lbs)	128 lbs	256 lbs	306 lbs	408 lbs
Gross Weight (lbs)	172 lbs	300 lbs	351 lbs	452 lbs
Shipping Dimensions (in)	30" x 31" x 41"	55" x 32.5" x 41.75"	71" x 32.5" x 41.75"	100" x 32.5" x 41.75"

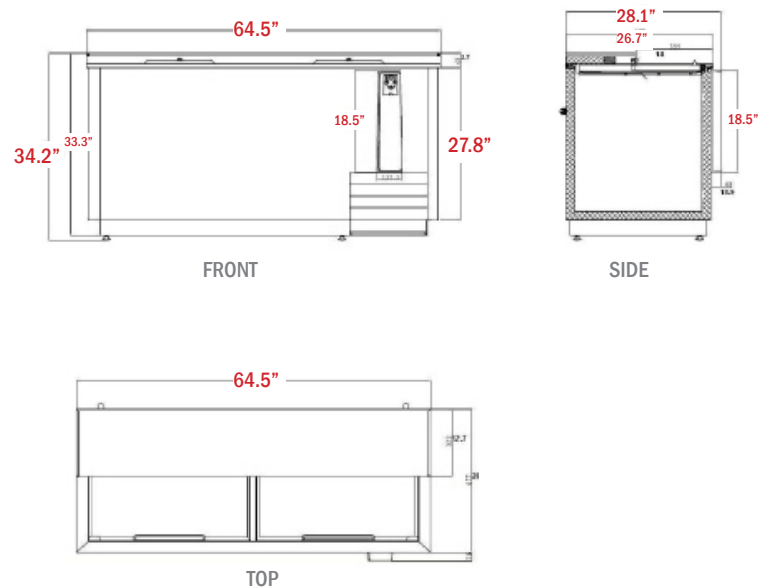
### Plan Views

USBC-25?

USBC-50



USBC-65



### Features

#### Refrigeration System

- Refrigeration units use environmentally friendly R290 refrigerant
- Maintain a temperature range of 32 °F–41 °F
- Rugged built axial evaporator fans run efficiently with low velocity and high volume air flow

#### Cabinet Construction

- Black coated steel exterior for a sleek appearance
- Painted aluminum interior allows for easy cleaning
- The cabinet is insulated throughout with a foamed-in-place high density cell polyurethane insulation

#### Dividers

- Includes plastic coated steel dividers to keep contents organized and easy to get to during service
- Dividers are removable for easy cleaning

#### Electrical Control

- Electric LED temperature controller provides a digital display of cabinet temperatures and allows for easy temperature adjustments when necessary
- Temperature controller initiates automatic defrost schedule for worry free use
- 7 foot power cord with NEMA 5-15 plug

#### Lids

- Stainless steel sliding lids open and close smoothly and provide easy access to the beverages inside the unit
- Lids are individually locking to keep the contents safe after hours
- Lids are insulated to keep beverages cold when they are closed

#### Model Features

- Built in bottle opener with cap catcher for fast bottle opening and keeps the work area clean and free of debris on the floor



U-Star's 24" Narrow Depth Beer Dispensers are an easy way to offer up cold and refreshing draft beers to your patrons for work areas with limited space. These units feature stainless steel tap tower(s) that allow you to fill pint glasses and pitchers straight from the keg. Available in a wide range of sizes that can hold a number of different sized keg barrels both for use and storage. Adjustable shelves are also included for optional bottle or can storage. These units have solid black vinyl locking doors that conceal the contents inside and keep them secure after hours. The thick stainless steel top and built-in drip trays allow for easy clean-up. These models are ETL Listed and NSF approved and backed by a 1 year warranty on parts and labor and a 5 year warranty on the compressor.

### Product Features

- Heavy duty, wear resistant laminated black vinyl front and sides
- All stainless steel countertop, tap towers and drip trays
- Narrow 24" depth is great for work areas with limited space
- Interior is all stainless steel floor and inner walls
- 3" diameter stainless steel insulated beer columns
- Environmentally-friendly R290 refrigerant
- Side mounted compressor optimizes interior space
- Foamed-in-place polyurethane high density cell insulation throughout the entire cabinet



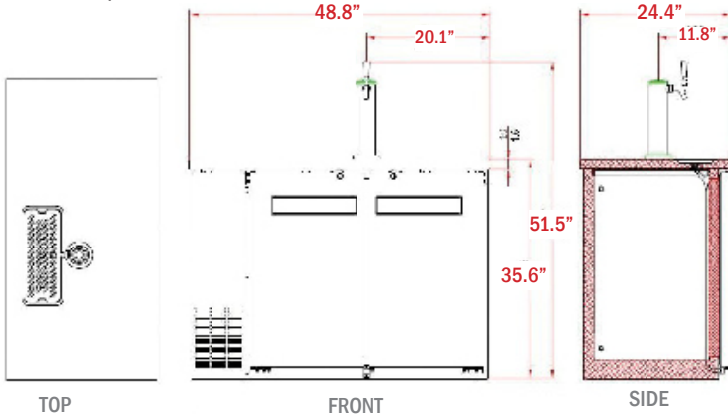
### Specifications



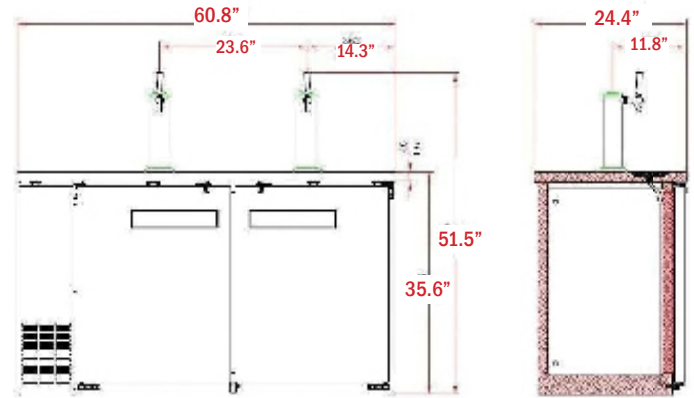
Model Number	USB-4824/2	USB-6024/2	USB-7224/2
Doors	2	2	3
Taps Towers	1	2	2
Kegs (Half Barrels)	2	2	3
Net Volume (Cu. Ft.)	11.8 Cu. Ft.	15.8 Cu. Ft.	19.6 Cu. Ft.
Overall Dimensions (in)	48.75" x 24.5" x 36.25"	60.75" x 24.5" x 36.25"	72.75" x 24.5" x 36.25"
Interior Dimensions (in)	36" x 18.5" x 29"	48" x 18.5" x 29"	60" x 18.5" x 29"
Refrigerant	R290	R290	R290
Horsepower	1/5	1/5	1/4
Voltage/Hertz/Phase	115/60/1	115/60/1	115/60/1
Amps	3	3	4
Net Weight (lbs)	187 lbs	247 lbs	309 lbs
Gross Weight (lbs)	231 lbs	291 lbs	353 lbs
Shipping Dimensions (in)	51" x 27.5" x 41.7"	62" x 27.5" 41.7"	75" x 27.5" 41.7"

### Plan Views

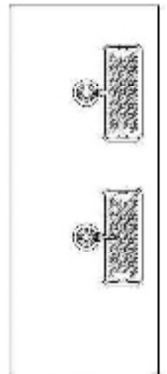
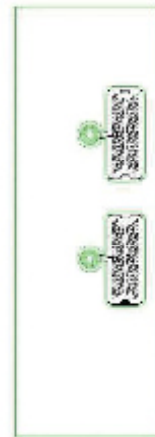
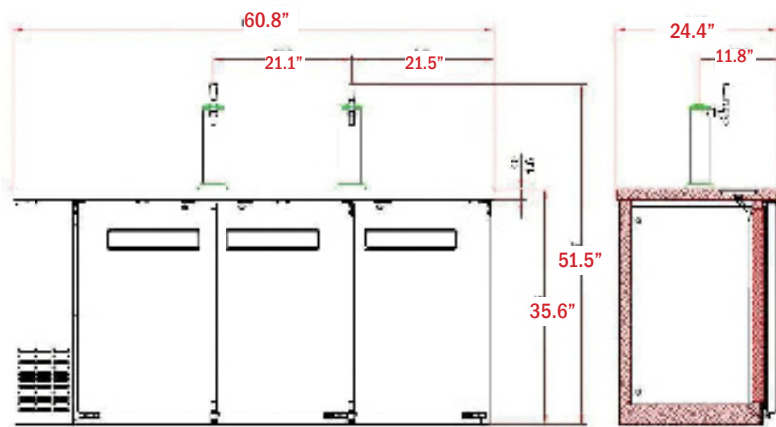
USBD-4824/2



USBD-6024/2



USBD-7224/2



### Features

#### Cooling System

- Refrigeration units use environmentally friendly R290 refrigerant
- Balanced refrigeration system helps to maintain a temperature range of 33°F–38°F
- Condensing unit is located behind front grill and slides out for easy cleaning

#### Electrical Control

- 115V/60 connection for all models
- 7' power cord with NEMA 5-15 plug from the back of the unit



#### Cabinet Construction

- Exterior is constructed of a durable black vinyl front and sides with an aluminum back with an all stainless steel countertop
- Interior is constructed of all stainless steel floor and walls
- 3" diameter stainless steel insulated beer columns that has cold air directed into them to reduce foaming
- The cabinet is insulated throughout with a foamed-in-place high density cell polyurethane insulation
- Narrow 24" depth is ideal for areas with limited workspace

#### Shelving

- Heavy duty PVC coated wire shelves are adjustable
- Aluminum shelf support system that are adjustable for every 1/2"

#### Model Features

- Interior LED lighting for greater visibility throughout the cabinet
- NSF-7 Approved for the storage of packaged or bottled products
- Couplers included

#### Doors

- Laminated black vinyl exterior with heavy gauge steel liner
- 12" long recessed handles
- Postive seal doors
- Door locks come standard on all models



U-Star's Standard Depth Beer Dispensers are an easy way to offer up cold and refreshing draft beers to your patrons. These units feature stainless steel tap tower(s) that allow you to fill pint glasses and pitchers straight from the keg. Available in a wide range of sizes that can hold a number of different sized keg barrels both for use and storage. Adjustable shelves are also included for optional bottle or can storage. These units have solid black vinyl locking doors that conceal the contents inside and keep them secure after hours. The thick stainless steel top and built-in drip trays allow for easy clean-up. These models are ETL Listed and NSF approved and backed by a 1 year warranty on parts and labor and a 5 year warranty on the compressor.

### Product Features

- Heavy duty, wear resistant laminated black vinyl front and sides
- All stainless steel countertop, tap towers and drip trays
- Interior is all stainless steel floor and inner walls
- 3" diameter stainless steel insulated beer columns
- Environmentally-friendly R290 refrigerant
- Side mounted compressor optimizes interior space
- Foamed-in-place polyurethane high density cell insulation throughout the entire cabinet
- Includes plastic coated wire shelves for additional storage

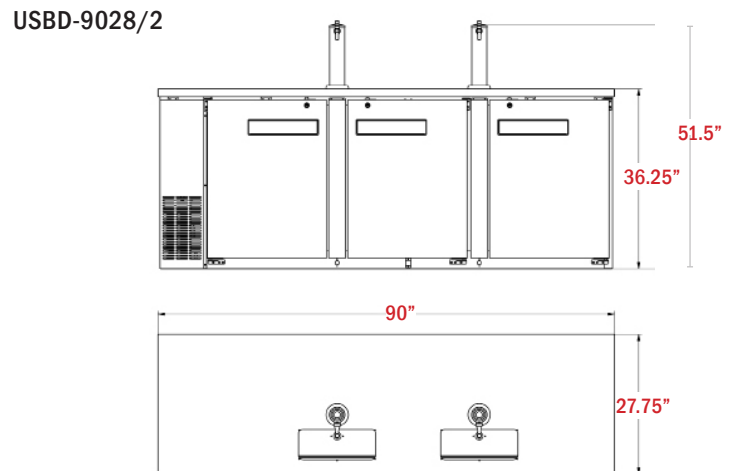
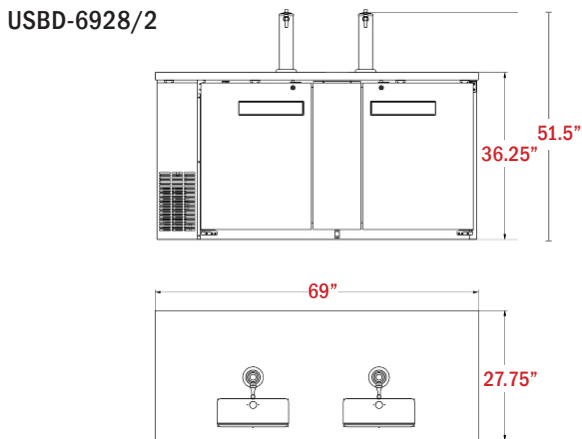
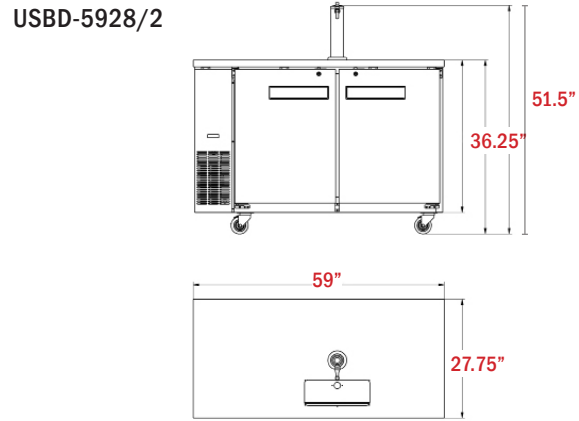
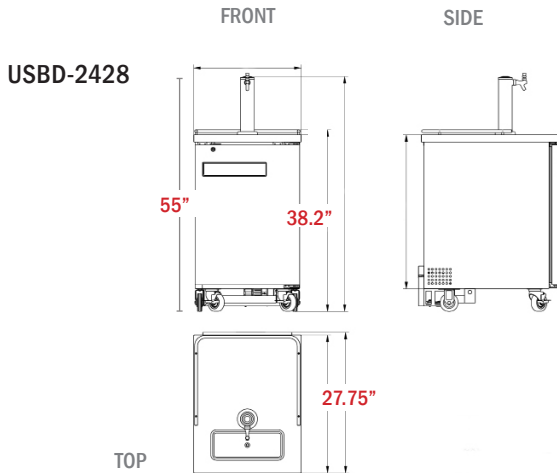


### Specifications



Model Number	USBD-2428	USBD-5928/2	USBD-6928/2	USBD-9028/2
Doors	1	2	2	3
Tap Towers	1	1	2	2
Kegs (Half Barrels)	1	2	3	4
Net Volume (Cu. Ft.)	6.5 Cu. Ft.	19 Cu. Ft.	23.3 Cu. Ft.	32 Cu. Ft.
Overall Dimensions (in)	23.5" x 30" x 38.75"	59" x 27.75" x 36.25"	69" x 27.75" x 36.25"	90" x 27.75" x 36.25"
Interior Dimensions (in)	175/16" x 16.5" x 275/16"	46" x 23 x 30	56" x 23 x 30	80" x 23 x 30
Refrigerant	R290	R290	R290	R290
Horsepower	1/6	1/5	1/5	1/4
Voltage/Hertz/Phase	115/60/1	115/60/1	115/60/1	115/60/1
Amps	1.92	2.88	3.6	4.7
Net Weight (lbs)	143 lbs	260 lbs	300 lbs	364 lbs
Gross Weight (lbs)	187 lbs	304 lbs	344 lbs	408 lbs
Shipping Dimensions (in)	26" x 32.25" x 44.75"	61.25" x 30.5" x 41.75"	71.5" x 30.5" x 41.75"	91.75" x 30.5" x 41.75"

### Plan Views



### Features

#### Cooling System

- Refrigeration units use environmentally friendly R290 refrigerant
- Balanced refrigeration system helps to maintain a temperature range of 33°F–38°F
- Condensing unit is located behind front grill and slides out for easy cleaning

#### Electrical Control

- 115V/60 connection for all models
- 7' power cord with NEMA 5-15 plug from the back of the unit



#### Cabinet Construction

- Exterior is constructed of a durable black vinyl front and sides with an aluminum back with an all stainless steel countertop
- Interior is constructed of all stainless steel floor and walls
- 3" diameter stainless steel insulated beer columns that has cold air directed into them to reduce foaming
- The cabinet is insulated throughout with a foamed-in-place high density cell polyurethane insulation

#### Shelving

- Heavy duty PVC coated wire shelves are adjustable
- Aluminum shelf support system that are adjustable for every 1/2"

#### Model Features

- Interior LED lighting for greater visibility throughout the cabinet
- NSF-7 Approved for the storage of packaged or bottled products
- Couplers included

#### Doors

- Laminated black vinyl exterior with heavy gauge steel liner
- 12" long recessed handles
- Positive seal doors
- Door locks come standard on all models



U-Star's Narrow Depth Back Bar Coolers are a great way to merchandise and store beer, soda and other beverages in your bar or restaurant. Constructed with an all stainless steel countertop, interior floor and walls and features LED lighting and adjustable shelves. The 24" narrow depth is ideal for establishments with a smaller work area. These units are available in both glass and solid swing door models. These models are ETL Listed and NSF approved and backed by a 1 year warranty on parts and labor and a 5 year warranty on the compressor.

### Product Features

- 304 stainless steel top, interior walls and floor
- Durable black steel exterior
- Environmentally-friendly R290 refrigerant
- Side mounted compressor
- Foamed-in-place polyurethane high density cell insulation throughout the entire cabinet
- Plastic coated wire shelves
- Automatic defrosting
- 24" narrow depth is great for areas with limited bar space

### Specifications

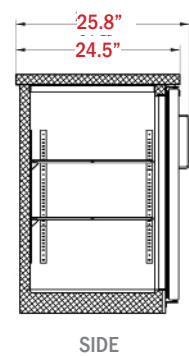
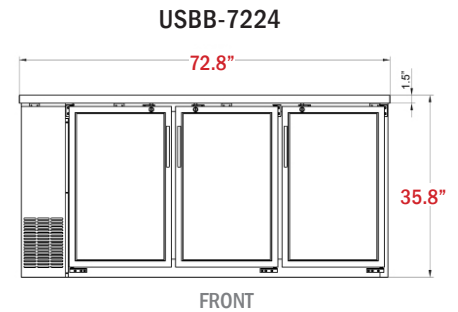
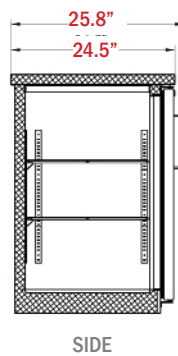
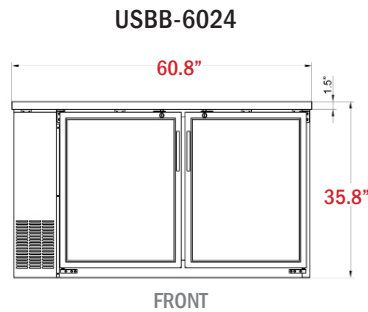
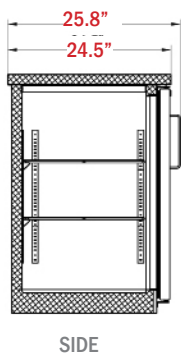
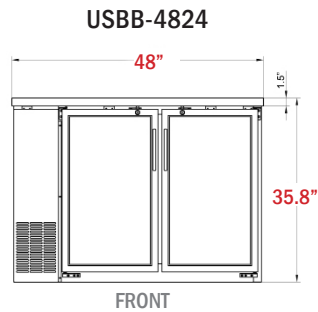


Model Number	USBB-4824G	USBB-4824	USBB-6024G	USBB-6024	USBB-7224G	USBB-7224
Type	Glass Door	Solid Door	Glass Door	Solid Door	Glass Door	Solid Door
Doors	2	2	2	2	3	3
Shelves	4	4	4	4	6	6
Net Volume (Cu. Ft.)	11.8 Cu. ft.	11.8 Cu. ft.	15.8 Cu. ft.	15.8 Cu. ft.	19.6 Cu. ft.	19.6 Cu. ft.
Overall Dimensions (in)	48" x 24.5" x 35.8"	48" x 24.5" x 35.8"	60.2" x 24.5" x 35.8"	60.2" x 24.5" x 35.8"	72.8" x 24.5" x 35.8"	72.8" x 24.5" x 35.8"
Interior Dimensions (in)	36" x 18.5" x 29"	36" x 18.5" x 29"	48" x 18.5" x 29"	48" x 18.5" x 29"	60" x 18.5" x 29"	60" x 18.5" x 29"
Refrigerant	R290	R290	R290	R290	R290	R290
Horsepower	1/5	1/5	1/5	1/5	1/4	1/4
Voltage/Hertz/Phase	115/60/1	115/60/1	115/60/1	115/60/1	115/60/1	115/60/1
Amps	2.88	2.88	2.88	2.88	3.96	3.96
Net Weight (lbs)	216 lbs	187 lbs	260 lbs	247 lbs	311 lbs	309 lbs
Gross Weight (lbs)	260 lbs	231 lbs	304 lbs	291 lbs	355 lbs	353 lbs
Shipping Dimensions (in)	51" x 27.5" x 41"	51" x 27.5" x 41"	63" x 27.5" x 41"	63" x 27.5" x 41"	75" x 27.5" x 41"	75" x 27.5" x 41"

### Capacity

Model Number	USBB-4824G	USBB-4824	USBB-6024G	USBB-6024	USBB-7224G	USBB-7224
Kegs (Half Barrels)	2	2	2	2	3	3
12 oz. Cans	48 6-pks	48 6-pks	72 6-pks	72 6-pks	76 6-pks	76 6-pks

### Plan Views



### Features

#### Cooling System

- Refrigeration units use environmentally friendly R290 refrigerant
- Balanced refrigeration system helps to maintain a temperature range of 33 °F–41 °F
- Condensing unit is located behind front grill and slides out for easy cleaning

#### Electrical Control

- 115V/60 connection for all models
- 7' power cord with NEMA 5-15 plug from the back of the unit



#### Cabinet Construction

- Exterior is constructed of a durable black vinyl front and sides with an aluminum back with an all stainless steel countertop
- Interior is constructed of all stainless steel floor and walls
- The cabinet is insulated throughout with a foamed-in-place high density cell polyurethane insulation
- 24" Narrow depth is ideal for areas with limited workspace

#### Doors

- Swing door style available in either double pane thermal glass or durable solid black vinyl doors
- 12" long recessed handles
- Postive seal doors
- Door locks come standard on all models

#### Shelving

- Heavy duty PVC coated wire shelves are adjustable
- Aluminum shelf support system that are adjustable for every 1/2"

#### Model Features

- Interior LED lighting for greater visibility throughout the cabinet
- NSF-7 Approved for the storage of packaged or bottled products





U-Star's Standard Depth Back Bar Coolers are a great way to merchandise and store beer, soda and other beverages in your bar or restaurant. Constructed with an all stainless steel countertop, interior floor and walls and features LED lighting and adjustable shelves. These units are available in both glass and solid swing door models. These models are ETL Listed and NSF approved and backed by a 1 year warranty on parts and labor and a 5 year warranty on the compressor.

### Product Features

- 304 stainless steel top, interior walls and floor
- Durable black steel exterior
- Environmentally-friendly R290 refrigerant
- Side mounted compressor
- Foamed-in-place polyurethane high density cell insulation throughout the entire cabinet
- Plastic coated wire shelves
- Automatic defrosting



### Specifications



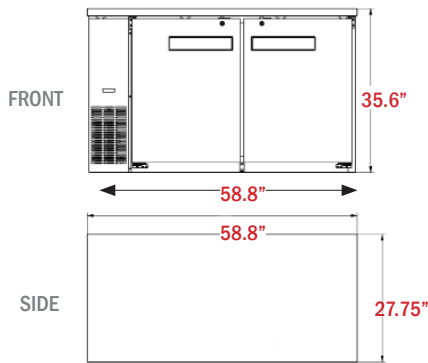
Model Number	USBB-5928G	USBB-5928	USBB-6928G	USBB-6928	USBB-9028G	USBB-9028
Type	Glass Door	Solid Door	Glass Door	Solid Door	Glass Door	Solid Door
Doors	2	2	2	2	3	3
Net Volume (Cu. Ft.)	19 Cu Ft.	19 Cu Ft.	23.3 Cu Ft.	23.3 Cu Ft.	32 Cu. Ft	32 Cu. Ft
Overall Dimensions (in)	58.8" x 27.8" x 36.2"	58.8" x 27.8" x 36.2"	69.1" x 27.8" x 36.2"	69.1" x 27.8" x 36.2"	90.3" x 27.8" x 35.6"	90.3" x 27.8" x 35.6"
Interior Dimensions (in)	48" x 22.5" x 33"	48" x 22.5" x 33"	48" x 22.5" x 33"	48" x 22.5" x 33"	7.8" x 22.5" x 30.5"	7.8" x 22.5" x 30.5"
Refrigerant	R290	R290	R290	R290	R290	R290
Horsepower	1/5	1/5	1/5	1/5	1/4	1/4
Voltage/Hertz/Phase	115/60/1	115/60/1	115/60/1	115/60/1	115/60/1	115/60/1
Amps	2.8	2.8	3.6	3.6	4.7	4.7
Net Weight (lbs)	258 lbs	229 lbs	295 lbs	280 lbs	386 lbs	370 lbs
Gross Weight (lbs)	302 lbs	273 lbs	324 lbs	324 lbs	430 lbs	414 lbs
Shipping Dimensions (in)	61.5" x 30.5" x 41.75"	61.5" x 30.5" x 41.75"	71.5" x 30.5" x 41.75"	71.5" x 30.5" x 41.75"	91.75" x 30.5" x 41.75"	91.75" x 30.5" x 41.75"

### Capacity

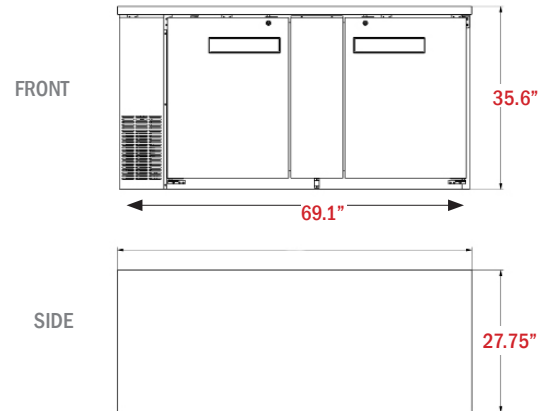
Model Number	USBB-5928G	USBB-5928	USBB-6928G	USBB-6928	USBB-9028G	USBB-9028
Kegs (Half Barrels)	2	2	3	3	4	4
12 oz. Cans	88 6-pks	88 6-pks	112 6-pks	112 6-pks	152 6-pks	152 6-pks

### Plan Views

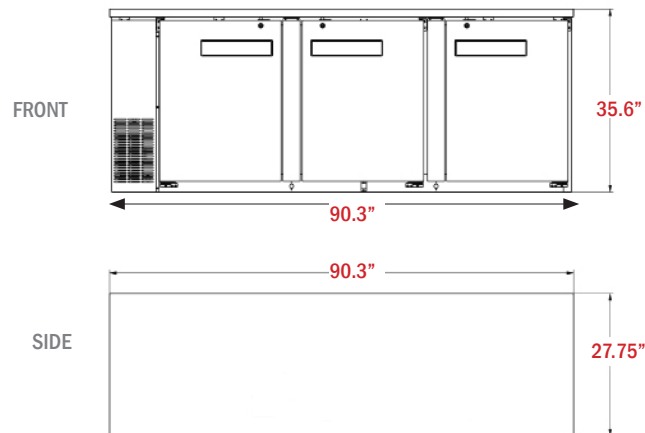
USBB-5928



USBB-6928



USBB-9028



### Features

#### Cooling System

- Refrigeration units use environmentally friendly R290 refrigerant
- Balanced refrigeration system helps to maintain a temperature range of 33°F–41°F
- Condensing unit is located behind front grill and slides out for easy cleaning

#### Electrical Control

- 115V/60 connection for all models
- 7' power cord with NEMA 5-15 plug from the back of the unit



#### Cabinet Construction

- Exterior is constructed of a durable black vinyl front and sides with an aluminum back. Countertop is all stainless steel.
- Interior is constructed of all stainless steel floor and walls
- The cabinet is insulated throughout with a foamed-in-place high density cell polyurethane insulation

#### Doors

- Swing door style available in either double pane thermal glass or durable solid black vinyl doors
- 12" long recessed handles
- Postive seal doors
- Door locks come standard on all models

#### Shelving

- Heavy duty PVC coated wire shelves are adjustable
- Aluminum shelf support system that are adjustable for every 1/2"

#### Model Features

- Interior LED lighting for greater visibility throughout the cabinet
- NSF-7 Approved for the storage of packaged or bottled products



U-Star's Glass Merchandiser Refrigerators are a great way to display cold drinks, food and any other grab n' go items that are sold in your establishment. These units are perfect for convenience stores, delis, markets and so much more. With their anti-fogging glass and illuminated interior, the products inside will always be highly visible to your shoppers. The self closing door ensures the internal temperature stays at the desired temperature no matter how many times they are being opened. These units come standard with plastic coated steel shelves that are easily adjustable and a front mounted LED temperature display. These models are ETL Listed and ETL Sanitation. They are backed with a 1 year warranty on parts and labor and a 5 year warranty on the compressor.

### Product Features

- Coated steel exterior
- Painted aluminum interior with stainless steel floor
- Environmentally-friendly R290 refrigerant
- Self closing door
- Foamed-in-place polyurethane high density cell insulation throughout the entire cabinet
- Illuminated bright interior lights for greater visibility
- Front mounted LED temperature display
- Removable door gasket for easy cleaning



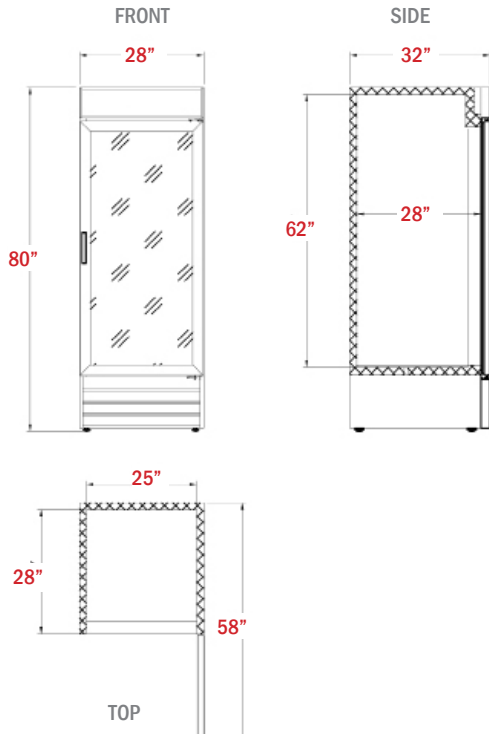
### Specifications



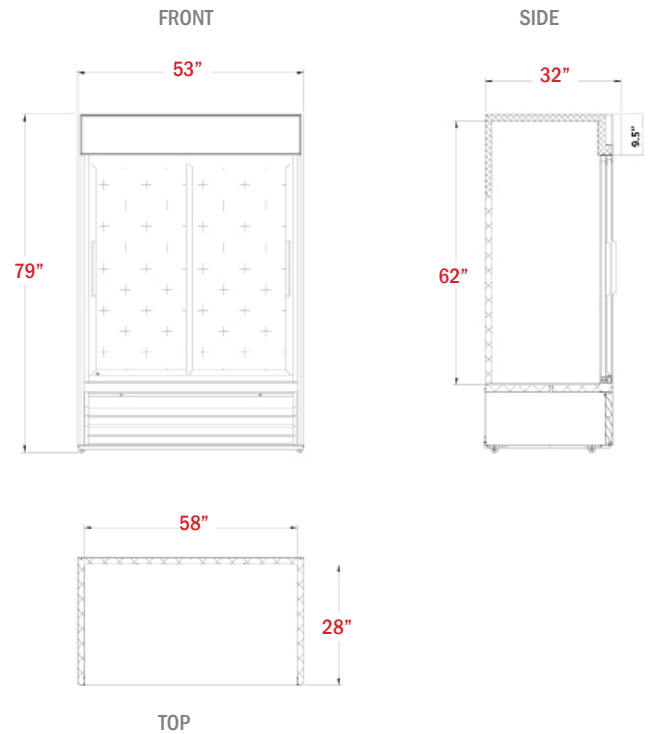
Model Number	USRFS-1D/B	USRFS-1D/W	USRFS-2D/B	USRFS-2D/W	USRFS-2DS/B	USRFS-2DS/W
<b>Color</b>	Black	White	Black	White	Black	White
<b>Doors</b>	1	1	2	2	2	2
<b>Net Volume Cu. Ft.</b>	24 Cu. Ft	24 Cu. Ft	47 Cu. Ft	47 Cu. Ft	27 Cu. Ft	27 Cu. Ft
<b>Shelves</b>	4	4	8	8	8	8
<b>Overall Dimensions (in)</b>	28" x 32" 80"	28" x 32" 80"	53" x 32" 80"	53" x 32" 80"	48" x 32" 80"	48" x 32" 80"
<b>Interior Dimensions (in)</b>	25" x 28" x 63"	25" x 28" x 63"	50" x 28" 63"	50" x 28" 63"	43" x 19" x 55"	43" x 19" x 55"
<b>Refrigerant</b>	R290	R290	R290	R290	R290	R290
<b>Horsepower</b>	1/5	1/5	1/4	1/4	1/4	1/4
<b>Voltage/Hertz/Amps</b>	115/60/1	115/60/1	115/60/1	115/60/1	115/60/1	115/60/1
<b>Amps</b>	3	3	4.5	4.5	4.8	4.8
<b>Net Weight (lbs)</b>	293 lbs	293 lbs	485 lbs	485 lbs	536 lbs	536 lbs
<b>Gross Weight (lbs)</b>	337 lbs	337 lbs	529 lbs	529 lbs	580 lbs	580 lbs
<b>Shipping Dimensions (in)</b>	30" x 35" x 85"	30" x 35" x 85"	54" x 33" x 84"	54" x 33" x 84"	50" x 29" x 87"	50" x 29" x 87"

### Plan Views

USRFS-1D



USRFS-2D



### Features

#### Refrigeration System

- Refrigeration units use environmentally friendly R290 refrigerant
- Bottom mounted cooling unit slides out for easy cleaning and maintenance and allows for storage area on top of the unit
- Maintain a temperature range of 32° -41 °F
- Rugged built axial evaporator fans run efficiently with low velocity and high volume air flow

#### Electrical Control

- Front LED temperature display for easy viewing of internal temperature
- Temperature controller initiates automatic defrost schedule for worry free use
- 7 foot power cord with NEMA 5-15 plug



#### Cabinet Construction

- Black coated steel exterior for a sleek appearance
- Painted aluminum liner interior allows for easy cleaning
- The cabinet is insulated throughout with a foamed-in-place high density cell polyurethane insulation

#### Door(s)

- Large glass doors that provide high visibility with anti-fogging.
- Positive self-closing doors with microswitch that shuts the evaporator fans off when the door is open
- Self closing door keeps the cold air in and helps keep internal temperature at a consistent level
- Removable door gasket for easy cleaning

#### Shelving

- Adjustable plastic coated steel shelves that have a load capacity of up to 90 lbs per shelf

#### Model Features

- Interior lighting provides greater visibility for merchandising
- Colorful, lighted graphics on top of the unit helps to draw in customers



U-Star's Glass Merchandiser Refrigerators are a great way to display cold drinks, food and any other grab n' go items that are sold in your establishment. These units are perfect for convenience stores, delis, markets and so much more. With their anti-fogging glass and illuminated interior, the products inside will always be highly visible to your shoppers. The self-closing doors ensure the internal temperature stays at the desired temperature no matter how many times they are being opened. These units come standard with plastic-coated steel shelves that are easily adjustable, and a front-mounted LED temperature display. These models are ETL Listed and ETL Sanitation. They are backed with a 1 year warranty on parts and labor and a 5 year warranty on the compressor.

### Product Features

- Coated steel exterior
- Painted aluminum interior with stainless steel floor
- Environmentally-friendly R290 refrigerant
- Self closing door
- Foamed-in-place polyurethane high density cell insulation throughout the entire cabinet
- Illuminated bright interior lights for greater visibility
- Front-mounted LED temperature display
- Removable door gasket for easy cleaning

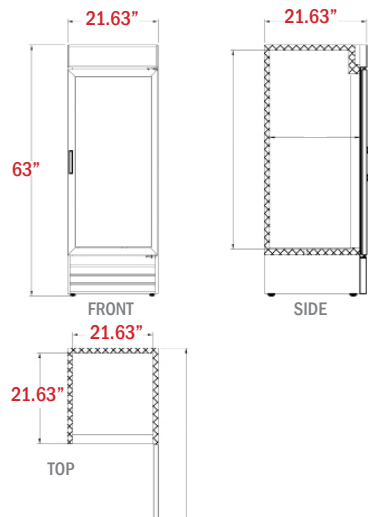


### Specifications

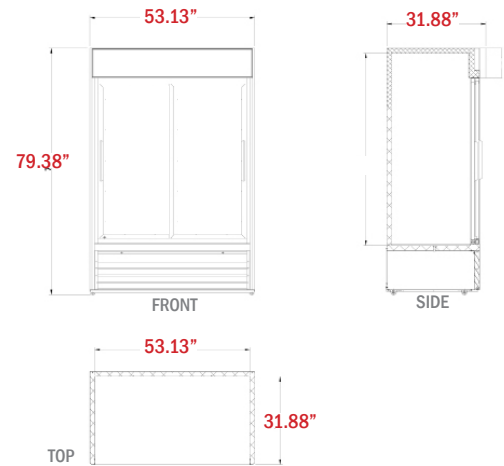
Model Number	USRFS-1D/22	USRFS-2D/54
Color	Black	Black
Doors	1	2
Net Volume Cu. Ft.	9.1 Cu. Ft	45 Cu. Ft
Shelves	4	8
Overall Dimensions (in)	21.63" x 21.63" x 63"	53.13" x 31.88" x 79.38"
Refrigerant	R290	R290
Horsepower	1/5	1/4+
Voltage/Hertz/Amps	115/60/1	115/60/1
Amps	2.88	4.3
Net Weight (lbs)	146 lbs	476 lbs
Gross Weight (lbs)	190 lbs	521 lbs

### Plan Views

USRFS-1D/22



USRFS-2D/54



### Features

#### Refrigeration System

- Environmentally-friendly R290 refrigerant
- Bottom-mounted cooling unit slides out for easy cleaning and maintenance, and allows for extra storage on top of unit
- Maintains temperature range of 32° - 41° F
- Rugged built axial evaporator fans run efficiently, with low velocity and high volume air flow

#### Electrical Control

- Front LED temperature display for easy viewing of internal temperature
- Temperature controller initiates automatic defrost schedule for worry free use
- 7-foot power cord with NEMA 5-15 plug



#### Cabinet Construction

- Black-coated steel exterior for a sleek appearance
- Painted aluminum interior allows for easy cleaning
- Insulated throughout with foamed-in-place high density cell polyurethane insulation

#### Door(s)

- Large glass doors that provide high visibility with anti-fogging.
- Positive self-closing doors with microswitch that shuts the evaporator fans off when the door is open
- Self-closing doors keep the cold air in and keeps internal temperature constant
- Removable door gasket for easy cleaning

#### Shelving

- Adjustable plastic-coated steel shelves that have a load capacity of up to 90 lbs per shelf

#### Model Features

- Interior lighting provides greater visibility for merchandising
- Colorful, lighted graphics on top of the unit helps to draw in customers



U-Star's Glass Merchandiser Freezers are a great way to display frozen drinks, food and any other grab n' go items that are sold in your establishment. These units are perfect for convenience stores, delis, markets and so much more. With their anti-fogging glass and illuminated interior, the products inside will always be highly visible to your shoppers. The self closing door ensures the internal temperature stays at the desired temperature no matter how many times they are being opened. These units come standard with plastic coated steel shelves that are easily adjustable and a front mounted LED temperature display. These models are ETL Listed and ETL Sanitation. They are backed with a 1 year warranty on parts and labor and a 5 year warranty on the compressor.

### Product Features

- Coated steel exterior
- Painted aluminum interior with stainless steel floor
- Environmentally-friendly R290 refrigerant
- Self closing door
- Foamed-in-place polyurethane high density cell insulation throughout the entire cabinet
- Illuminated bright interior lights for greater visibility
- Front-mounted LED temperature display
- Automatic defrosting
- Removable door gasket for easy cleaning

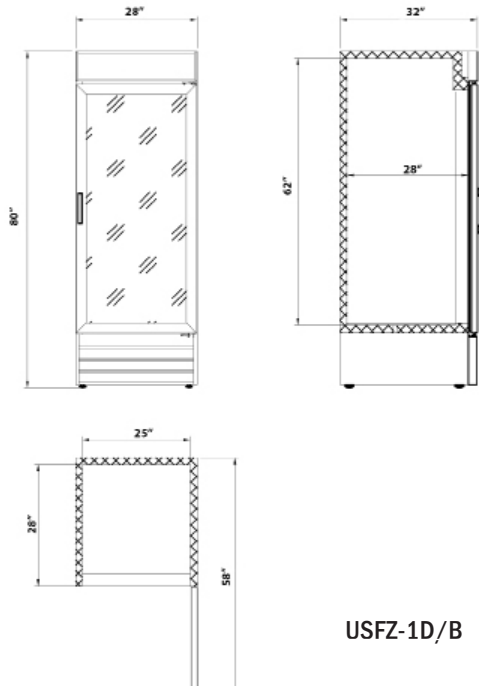


### Specifications

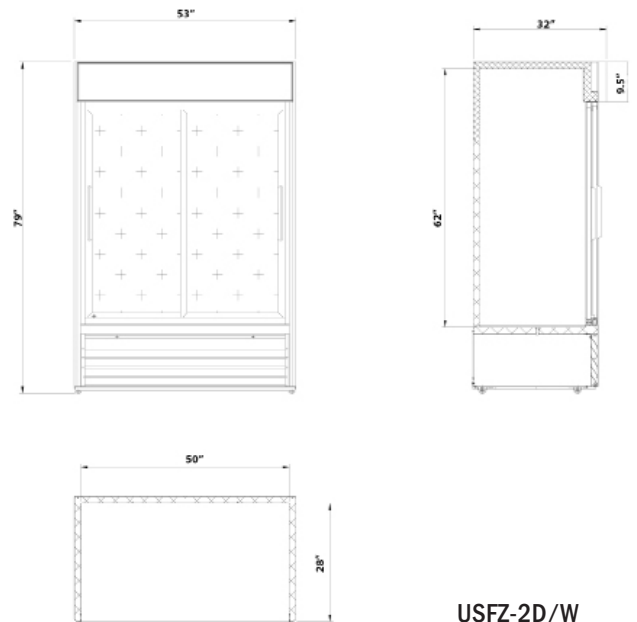


Model Number	USFZS-1D/B	USFZS-1D/W	USFZS-2D/B	USFZS-2D/W
Doors	1	1	1	1
Shelves	4	4	8	8
Net Volume Cu. Ft.	13 Cu. Ft.	13 Cu. Ft.	27 Cu. Ft.	27 Cu. Ft.
Overall Dimensions (in)	27" x 26" 80"	27" x 26" 80"	43" x 19" 80"	43" x 19" 80"
Interior Dimensions (in)	21 x 19" 55"	21 x 19" 55"	49" x 26" 55"	49" x 26" 55"
Refrigerant	R290	R290	R290	R290
Horsepower	3/4	3/4	3/4	3/4
Voltage/Hertz/Amps	115/60/1	115/60/1	115/60/1	115/60/1
Amps	8.8	8.8	9.4	9.4
Net Weight (lbs)	375 lbs	375 lbs	558 lbs	558 lbs
Gross Weight (lbs)	419 lbs	419 lbs	602 lbs	602 lbs
Shipping Dimensions (in)	30"x 30" 87"	30"x 30" 87"	51" x 31" 87"	51" x 31" 87"

### Plan Views



USFZ-1D/B



USFZ-2D/W

### Features

#### Refrigeration System

- Freezer units use environmentally friendly R290 refrigerant
- Bottom mounted cooling unit slides out for easy cleaning and maintenance and allows for storage area on top of the unit
- Maintain a temperature range of -5°F - 2°F
- Rugged built axial evaporator fans run efficiently with low velocity and high volume air flow

#### Electrical Control

- Front LED temperature display for easy viewing of internal temperature
- Temperature controller initiates automatic defrost schedule for worry free use
- 7 foot power cord with NEMA 5-15 plug



#### Cabinet Construction

- Coated steel exterior for a sleek appearance
- Painted aluminum interior allows for easy cleaning
- The cabinet is insulated throughout with a foamed-in-place high density cell polyurethane insulation

#### Door(s)

- Large glass doors that provide high visibility with anti-fogging.
- Positive self-closing doors with microswitch that shuts the evaporator fans off when the door is open
- Self closing door keeps the cold air in and helps keep internal temperature at a consistent level
- Removable door gasket for easy cleaning

#### Shelving

- Adjustable plastic coated steel shelves that have a load capacity of up to 90 lbs per shelf

#### Model Features

- Interior lighting provides greater visibility for merchandising
- Colorful, lighted graphics on top of the unit helps to draw in customers





U-Star's Stainless Steel Chef Bases add versatility to your workspace by providing more room for product storage and doubling as a heavy duty equipment stand all in one. Their cabinet tops are a one piece stainless steel top with a special "V" edge to resist spills. The front, sides and drawers are also constructed of heavy duty stainless steel making them durable and easy to clean. Standard heavy duty casters are included. These models are ETL Listed and NSF approved and backed by a 1 year warranty on parts and labor and a 5 year warranty on the compressor.

### Product Features

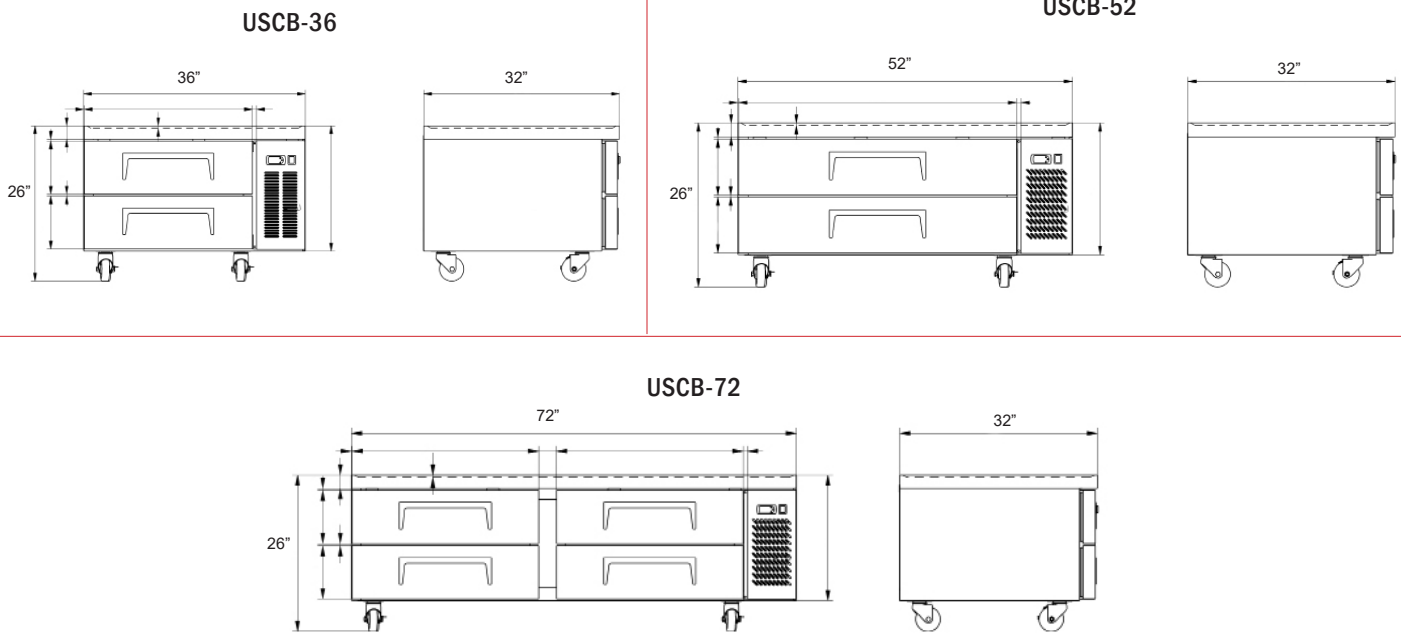
- Heavy duty stainless steel top, front and sides
- Stainless steel floor and liner inside the cabinet
- Heavy duty one piece stainless steel top with marine edge
- R-134a refrigerant ensures ideal operating temperatures
- Slide out compressor for easy maintenance
- Removable heavy duty stainless steel drawers, slides and rollers
- Foamed-in-place polyurethane high density cell insulation throughout the entire cabinet
- 4" locking casters for easy moving and cleaning

### Specifications



Model Number	USCB-36	USCB-52	USCB-72
Drawers	2	2	4
Food Capacity	2 Full Size Pans	6 Full Size Pans	8 Full Size Pans
Net Volume Cu. Ft.	7 Cu. Ft.	11 Cu. Ft.	16 Cu. Ft.
Overall Dimensions (in)	36" x 32" x 25"	52" x 32" x 25"	72" x 32" x 25"
Interior Dimensions (in)	24.8"x 27.5" 16.5"	40"x 27.5" 16.5"	60"x 27.5" 16.5"
Refrigerant	R-290	R-290	R-290
Horsepower	1/6	1/6	1/5
Voltage/Hertz/Amps	115/60/1	115/60/1	115/60/1
Amps	2.5	3.5	4.7
Top Weight Limit (lbs)	717 lbs	717 lbs	1084 lbs
Gross Weight (lbs)	218 lbs	280 lbs	322 lbs
Shipping Dimensions (in)	39" x 35" x 24.5"	54.5" x 35" x 24.5"	75" x 35" x 24.5"

### Plan Views



### Features

#### Cooling System

- Refrigeration units use environmentally friendly R134A refrigerant
- Maintain a temperature range of 33° F–41° F
- Condensing unit is located behind front grill and slides out for easy cleaning

#### Electrical Control

- 115V/60 connection for all models
- 7' power cord with NEMA 5-15 plug from the back of the unit



#### Cabinet Construction

- Exterior is constructed of a 20 gauge stainless steel top, front, drawers and sides with an aluminum back.
- Interior is constructed of all stainless steel floor and liner
- Heavy duty one piece stainless steel top has drip resistant "V" edges to protect against spills
- The cabinet is insulated throughout with a foamed-in-place high density cell polyurethane insulation

#### Drawers

- Full heavy duty construction on the drawers including the facings and liner
- Drawers and gaskets are removable
- Each drawer has a recessed handle
- Drawers support a wide variety of food pan configurations. Includes one full length removable divider bar for each drawer.

#### Operating Conditions

- Countertop cooking equipment should be used in conjunction with the manufacture supplied legs. Minimum clearance of 4" required between bottom of cooking equipment heating element and the chef base top. Failure to provide clearance voids manufacturer warranty
- Installation of a heat shield is recommended

#### Model Features

- Includes heavy duty casters
- NSF-7 compliant for open food product



U-Star's Deli Cases are great for storing and promoting all of your most popular deli meats and cheeses. It's curved glass front provides your customers with excellent product visibility while the rounded corner design makes for easy cleaning. Their high humidity gravity coil refrigeration system helps to maintain the optimal storing temperature to keep all of your displayed meats and cheese products fresh for extended periods of time. The insulated double pane glass allows for greater energy efficiency and savings. These items come standard with adjustable wire coated shelves and LED lighting for enhanced product visibility. These models are ETL Listed and NSF approved and backed by a 1 year warranty on parts and labor and a 5 year warranty on the compressor.

### Product Features

- Exterior is constructed of stainless steel top and front with painted steel sides
- Interior floor is all stainless steel
- High humidity gravity coil refrigeration system for optimal product freshness
- R-134a refrigerant ensures ideal operating temperatures
- Insulated double pane curved front glass
- Foamed-in-place polyurethane high density cell insulation throughout the entire cabinet
- Adjustable plastic coated wire shelves
- LED lighting for enhanced product visibility

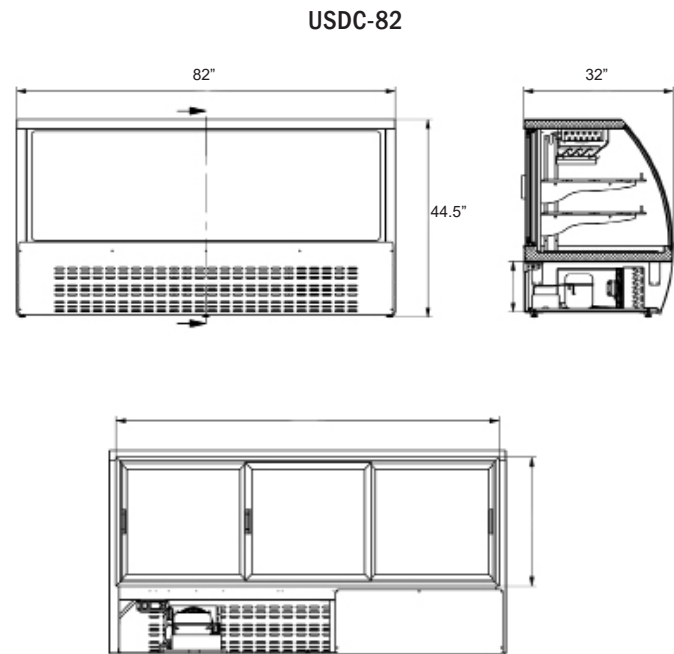
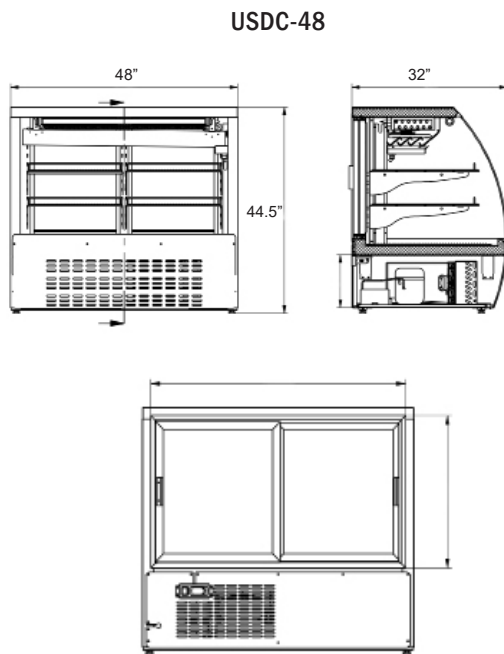


### Specifications



Model Number	USDC-48	USDC-82
Doors	2	3
Shelves	6	9
Net Volume (Cu. Ft.)	18 Cu. Ft	32 Cu. Ft
Overall Dimensions (in)	48" x 32" x 44.5"	82" x 32" x 44.5"
Interior Dimensions (in)	43" x 26.7" x 26.7"	80" x 26.7" x 26.7"
Refrigerant	R-134A	R-134A
Horsepower	1/3	1/2
Voltage/Hertz/Phase	115/60/1	115/60/1
Amps	5.8	6.3
Net Weight (lbs)	320 lbs	507 lbs
Gross Weight (lbs)	364 lbs	562 lbs
Shipping Dimensions (in)	52" x 37" x 48.75"	86.5" x 37" x 48.75"

### Plan Views



### Features

#### Cooling System

- Refrigeration units use environmentally friendly R134a refrigerant
- Balanced refrigeration system maintains a temperature range of 38°F–40°F
- High humidity gravity coil system is ideal for keeping deli meats and cheeses fresh
- Condensing unit is located behind front grill and slides out for easy cleaning
- Automatic defrost system

#### Electrical Control

- 115V/60 connection for all models
- 7' power cord with NEMA 5-15 plug from the back of the unit



#### Cabinet Construction

- Exterior is constructed of a stainless steel top and front with painted steel sides
- Interior is constructed of all stainless steel floor and painted steel walls
- The cabinet is insulated throughout with a foamed-in-place high density cell polyurethane insulation
- Adjustable leg levelers attached to the frame

#### Rear Doors

- “Low-E”, double pane thermal glass inserts with plastic channel frames
- 12” long plastic handles on rear doors

#### Curved Front Glass

- Insulated double pane glass provides maximum insulation for greater energy efficiency and savings

#### Shelving

- Heavy duty PVC coated wire shelves are adjustable
- Shelving system is cantilevered with adjustable angle settings

#### Model Features

- Interior LED lighting for enhanced product visibility
- NSF-7 approved for open food products

#### Operating Conditions

- These models are designed to operate in an environment where the temperature and humidity do not exceed 75°F and 55% relative humidity
- These deli cases are only intended to be used for meats, cheeses and salads.
- These cases are not intended to hold or display pies, cakes or other pastries.



U-Star's Glass Door Reach-in Refrigerators are constructed of heavy duty stainless steel both inside and out, making them strong and durable enough to survive any kitchen environment. The cooling units are bottom mounted and slide out for easy maintenance and cleaning. All models come with 6" casters and plastic coated wire shelving that is easily removable to adjust the shelf height. The front digital controllers and LED readout makes it easy to adjust the interior temperature. These models are ETL Listed and ETL Sanitation. They are backed with a 1 year warranty on parts and labor a 5 year warranty on the compressor.

### Product Features

- Electronic control system makes it easy to adjust temperature set point and defrost frequency.
- Removable installation board makes it easy to access condenser coil for cleaning and service.
- These units use environmentally friendly R290 refrigerant
- Stainless steel interior and exterior, aluminum back.
- Refrigeration system keeps food at safe temperatures between 33°F and 41 °F
- Self-Closing glass doors with locks and keys.
- Shelves: Adjustable heavy-duty PVC coated shelves.
- (4) 6" casters (2 locking and 2 non-locking)

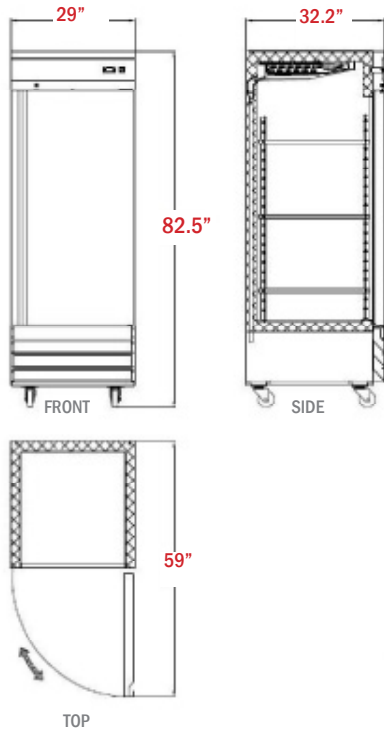


### Specifications

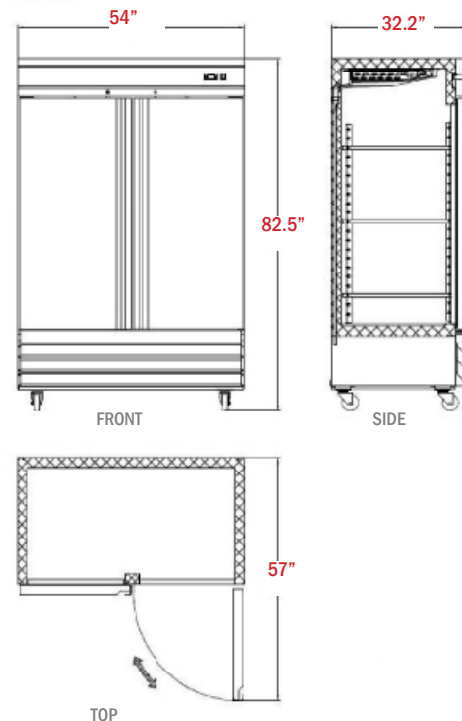
Model Number	USRF-1D-G	USRF-2D-G
Doors	1	2
Shelves	3	6
Net Volume (Cu. Ft.)	23 Cu. Ft	48 Cu. Ft
Overall Dimensions (in)	29"L x 32"W x 82.5"H	54"L x 32"W x 82.5"H
Interior Dimensions (in)	24"L x 27"W x 60"H	49"L x 27"W x 60"H
Horsepower	1/5	1/4
Refrigerant	R290	R290
Voltage/Hertz/Phase	115/60/1	115/60/1
Amps	2.6	3.8
Net Weight (lbs)	282 lbs	448 lbs
Gross Weight (lbs)	322 lbs	536 lbs
Shipping Dimensions (in)	31.5"L x 35"W x 85"H	57"L x 35"W x 85"H

### Plan Views

USRF-1D-G



USRF-2D-G



### Features

#### Cooling System

- Refrigeration units use environmentally friendly R290 refrigerant
- Maintain a temperature range of 32°F–41°F
- Bottom mounted cooling unit slides out for easy cleaning and maintenance and allows for storage area on top of the unit
- Rugged built axial evaporator fans run efficiently with low velocity and high volume air flow

#### Electrical Control

- Electric LED temperature controller provides a digital display of cabinet temperatures and allows for easy temperature adjustments when necessary
- Temperature controller initiates automatic defrost schedule for worry free use
- 7 foot power cord with NEMA 5-15 plug



#### Cabinet Construction

- Exterior is constructed of 430 stainless steel including the doors
- Interior is constructed of 304 stainless steel
- The cabinet is insulated throughout with a foamed-in-place high density cell polyurethane insulation

#### Door(s)

- Positive self-closing doors with microswitch that shuts the evaporator fans off when the door is open
- Recessed handles are built into the door for easy opening and closing
- Locking door keep items inside secure after hours

#### Shelving

- Adjustable plastic coated steel shelves that have a load capacity of up to 120 lbs per shelf
- Specially designed stainless steel racking system allows for easy shelf height adjustment and gives the user the ability to slide out the shelf to better reach the food inside

#### Model Features

- Incandescent interior lighting activated by door switch
- 6" casters come standard on all stainless steel models. Two locking and 2 non-locking brakes.

## Glass Door Freezers



U-Star's Glass Door Reach-in Freezers are constructed of heavy-duty stainless steel both inside and out, making them strong and durable enough to survive any kitchen environment. The cooling units are bottom mounted and slide out for easy maintenance and cleaning. All models come with 6" casters and plastic-coated wire shelving that is easily removable to adjust the shelf height. The front digital controllers and LED readout make it easy to adjust the interior temperature. These models are ETL Listed and ETL Sanitation. They are backed with a 1 year warranty on parts and labor a 5 year warranty on the compressor.

### Product Features

- Electronic control system makes it easy to adjust temperature set point and defrost frequency
- Removable installation board makes it easy to access condenser coil for cleaning and service
- These units use environmentally friendly R290 refrigerant
- Stainless steel interior and exterior with aluminum back
- Maintains a temperature range of -7 °F - 0 °F
- Self-closing glass doors with locks and keys
- Adjustable heavy-duty PVC coated shelves
- (4) 6" casters (2 locking and 2 non-locking)

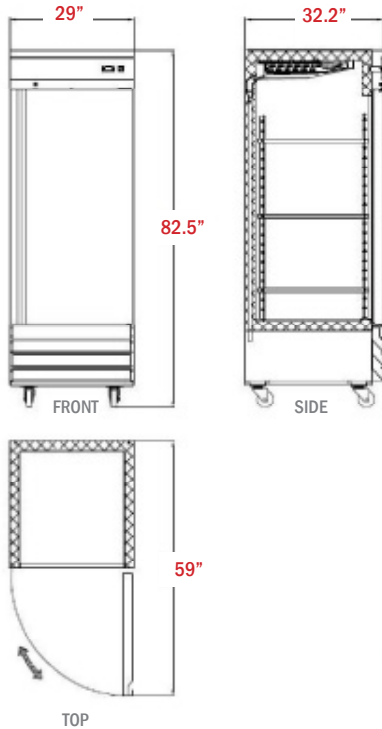


### Specifications

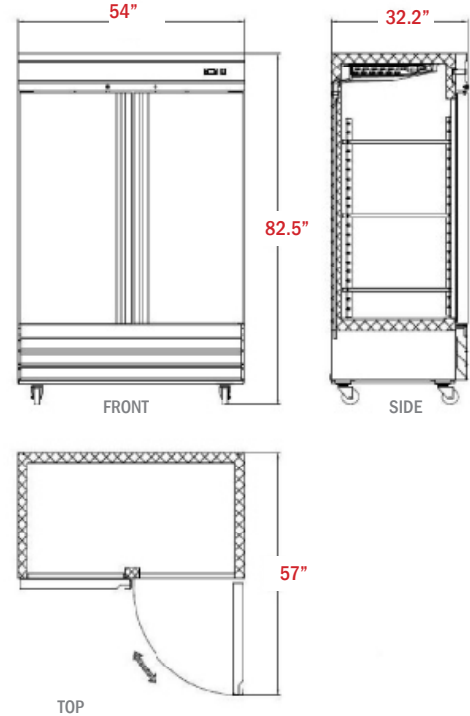
Model Number	USFZ-1D-G	USFZ-2D-G
Doors	1	2
Shelves	3	6
Net Volume (Cu. Ft.)	23 Cu. Ft	48 Cu. Ft
Overall Dimensions (in)	29"L x 32"W x 82.5"H	54"L x 32"W x 82.5"H
Interior Dimensions (in)	24"L x 27"W x 60"H	49"L x 27"W x 60"H
Horsepower	1/5	1/4
Refrigerant	R290	R290
Voltage/Hertz/Phase	115/60/1	115/60/1
Amps	2.6	3.8
Net Weight (lbs)	282 lbs	448 lbs
Gross Weight (lbs)	322 lbs	536 lbs
Shipping Dimensions (in)	31.5"L x 35"W x 85"H	57"L x 35"W x 85"H

### Plan Views

USFZ-1D-G



USFZ-2D-G



### Features

#### Cooling System

- Units use environmentally friendly R290 refrigerant
- Maintains a temperature range of -7 °F- 0 °F
- Bottom mounted cooling unit slides out for easy cleaning and maintenance, and allows for storage area on top of the unit
- Rugged built axial evaporator fans run efficiently with low-velocity and high-volume air flow

#### Electrical Control

- Electric LED temperature controller provides a digital display of cabinet temperatures and allows for easy temperature adjustments when necessary
- Temperature controller initiates automatic defrost schedule for worry-free use
- 7 foot power cord with NEMA 5-15 plug



#### Cabinet Construction

- Exterior is constructed of 430 stainless steel
- Interior is constructed of 304 stainless steel
- The cabinet is insulated throughout with a foamed-in-place high density cell polyurethane insulation

#### Door(s)

- Positive self-closing doors with microswitch that shuts the evaporator fans off when the door is open
- Recessed handles are built into the door for easy opening and closing
- Locking door keeps items inside secure after hours

#### Shelving

- Adjustable plastic-coated steel shelves that have a load capacity of up to 120 lbs per shelf
- Specially designed stainless steel racking system allows for easy shelf height adjustment and gives the user the ability to slide out the shelf to better reach the food inside

#### Model Features

- Incandescent interior lighting activated by door switch
- 6" casters come standard on all stainless steel models. Two locking and 2 non-locking brakes.





U-Star's Deluxe Ice Cream Dipping Cabinets are perfect for ice cream shops, candy stores, dessert bars, and cafeterias. The white design showcase is illuminated with LED lighting, displaying colorful flavors and samples. The glass canopy promotes product visibility, while preventing contamination. The unit features a stainless-steel storage shelf on top, with a curved glass viewing window. The frozen storage space beneath the display is for holding tubs of back-up flavors. These models are ETL Listed and ETL Sanitation. They are backed with a 1 year warranty on parts and labor and a 5 year warranty on the compressor.

### Product Features

- Attractive glass canopy showcases and protects products
- Frozen space beneath display stores back-up tubs
- Environmentally-friendly R290 refrigerant
- Temperature range -10 to 5 degrees Fahrenheit
- LED lighting included
- Electronic control system makes it easy to adjust temperature point setting and defrost frequency
- Convenient unit for businesses with limited space
- Stainless steel shelf on top of canopy provides a handy place for spoons, samples, and other supplies



### Specifications

Model Number	USDP-47	USDP-67
Lids	1	2
Racks	8	12
Display Capacity (3 gal. cans)	8	12
Storage Capacity (3 gal. cans)	4	8
Horsepower	1/4+	1/2+
Refrigerant	R290	R290
Voltage/Hertz/Phase	115/60/1	115/60/1
Amps	5.16	5.64
Overall Dimensions (in)	47" x 27.75" x 51.13"	67.75" x 27.75" x 51.13"



U-Star's Glass Frosters are perfect to frost beer glasses and chill salad plates used to serve your guests. These units efficiently chill glasses with a delicate layer of frost, keeping your craft beers cool and fresh tasting. They are also great for chilling salad plates, keeping lettuce leaves crisp longer. Featuring sliding stainless-steel doors for easy access, these units do not need to be running continuously and can be turned off after hours to save electricity. These models are ETL Listed and ETL Sanitation. They are backed with a 1 year warranty on parts and labor and a 5 year warranty on the compressor.

### Product Features

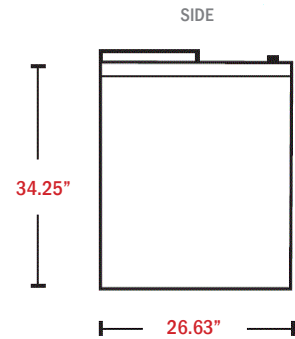
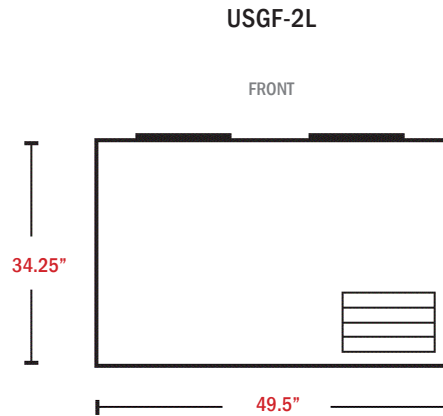
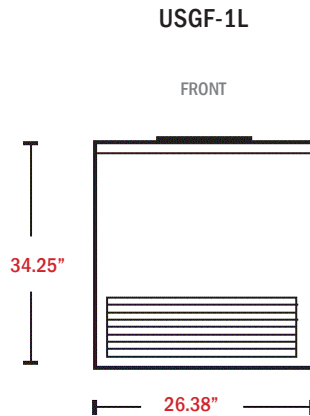
- Durable stainless steel top
- Coated aluminum interior
- Attractive corrosion-resistant exterior vinyl on steel with black finish
- Sliding stainless steel door for easy access
- Adjustable coated steel dividers included
- Maintains a safe temperature range of 0 degrees Fahrenheit
- Environmentally-friendly R290 refrigerant
- Saves electricity and can be turned off during non-business hours
- Electronic control system makes it easy to adjust temperature point setting and defrost frequency



### Specifications

Model Number	USGF-1L	USGF-2L
Lids	1	2
Storage Capacity (8" mugs)	90	250
Storage Capacity (10 oz. steins)	85	240
Net Volume Cu. Ft.	4.1 Cu. Ft.	12.2 Cu. Ft.
Horsepower	1/5	1/4+
Refrigerant	R290	R290
Voltage/Hertz/Phase	115/60/1	115/60/1
Amps	2.04	3
Overall Dimensions (in)	26.38" x 26.63" x 34.25"	49.5" x 26.63" x 34.25"
Net Weight (lbs)	166 lbs	232 lbs
Gross Weight (lbs)	210 lbs	276 lbs

### Plan Views



### Features

#### Refrigeration System:

- Environmentally R290 refrigerant
- Removable installation board makes it easy to access condenser coil for cleaning and service
- Temperature of -5-2 degrees Fahrenheit

#### Electrical Control

- Front LED temperature display for easy viewing of internal temperature
- Electronic controls make it easy to adjust temperature set point and defrost frequency
- NEMA 5-15 Plug



#### Cabinet Construction

- Black-coated steel exterior for a sleek appearance
- Painted aluminum interior allows for easy cleaning
- Insulated throughout with foamed-in-place high density cell polyurethane insulation

#### Doors

- Sliding stainless steel doors for easy access

#### Shelving

- Adjustable plastic-coated steel shelves that allow you to organize the interior to meet your needs

#### Model Features

- USGF-1L accommodates ninety (90) 8" mugs and eighty-five (85) 10 oz. steins
- USGF-2L accommodates two hundred and fifty (250) 8" mugs and two hundred and forty (240) 10 oz. steins



U-Star's Worktop Refrigerators are constructed of heavy duty stainless steel both inside and out making them strong and durable enough to survive in any kitchen environment. The refrigerated storage and convenient workspace help streamline the food preparation process. These units feature a backsplash wall that prevents ingredients and supplies from falling behind during slicing, dicing, assembling, mixing and other food preparation tasks. They operate with eco-friendly R290 refrigerant that protects the environment. The refrigerated storage space below the worktop is readily accessible through the doors, and features heavy-duty shelves with a roomy interior to organize ingredients. These models are ETL Listed and ETL Sanitation. They are backed with a 1 year warranty on parts and labor and a 5 year warranty on the compressor.

### Product Features

- Convenient stainless steel worktop surface
- Stainless steel exterior with backsplash wall
- Environmentally-friendly R290 refrigerant
- Keeps food at a safe temperature range of 33 to 41 degrees Fahrenheit
- Adjustable heavy-duty PVC coated shelves
- Electronic control system makes it easy to adjust temperature point setting and defrost frequency
- Preinstalled heavy-duty casters, (2 braking and 2 non-braking) provide mobility for easy cleaning and maintenance

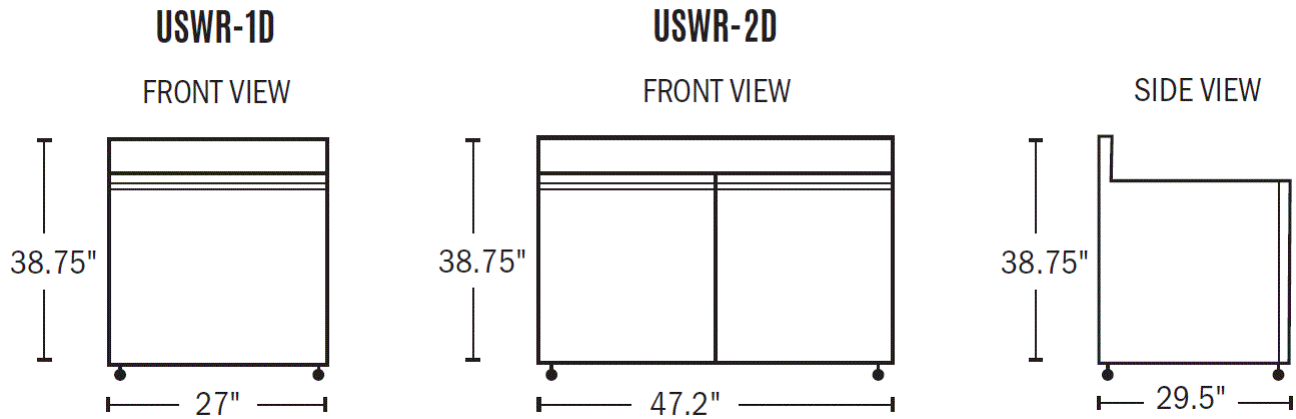


### Specifications



Model Number	USWR-1D	USWR-2D
Doors	1	2
Shelves	1	2
Net Volume (Cu. Ft.)	6.3 Cu. Ft.	12 Cu. Ft.
Horsepower	1/6	1/5
Refrigerant	R290	R290
Voltage/Hertz/Phase	115/60/1	115/60/1
Amps	1.9	2.7
Overall Dimensions (in)	27" x 29.5" x 38.75"	47.2" x 29.5" x 38.75"
Net Weight (lbs)	144 lbs	227 lbs
Gross Weight (lbs)	188 lbs	271 lbs

## Plan Views



## Features

### Refrigeration System:

- Environmentally R290 refrigerant
- Removable installation board makes it easy to access condenser coil for cleaning and service
- Maintains a temperature range of 33°F - 41°F

### Electrical Control

- LED temperature display for easy viewing of internal temperature
- Electronic controls make it easy to adjust temperature set point and defrost frequency
- NEMA 5-15 Plug



### Cabinet Construction

- Stainless steel interior and exterior with aluminum backsplash
- Insulated throughout with foamed-in-place high density cell polyurethane insulation

### Doors

- Self-closing doors with a 90° "stay Open" feature keep the cold air in and the internal temperature constant

### Shelving

- Adjustable plastic-coated steel shelves that allow you to organize the interior to meet your needs

### Model Features

- Preinstalled heavy-duty casters provide mobility for easy cleaning and maintenance
- Spacious stainless steel worktop surface allows for easy and convenient food preparation
- Backsplash prevents ingredients and supplies from falling behind the unit while working

## Worktop Freezers



U-Star's Worktop Freezers are constructed of heavy duty stainless steel both inside and out, making them strong and durable enough to survive in any kitchen environment. The frozen storage and convenient workspace help streamline the food preparation process. These units feature a back splash wall that prevents ingredients and supplies from falling behind during slicing, dicing, assembling, mixing and other food preparation tasks. They operate with eco-friendly R290 refrigerant that protects the environment. The frozen storage space below the worktop is readily accessible through the doors, and features heavy-duty shelves with a roomy interior to organize ingredients. These models are ETL Listed and ETL Sanitation. They are backed with a 1 year warranty on parts and labor and a 5 year warranty on the compressor.

### Product Features

- Convenient stainless steel worktop surface
- Stainless steel exterior with back splash wall
- Environmentally-friendly R290 refrigerant
- Temperature range -8 to 0 degrees Fahrenheit
- Adjustable heavy-duty PVC coated shelves
- Electronic control system makes it easy to adjust temperature point setting and defrost frequency
- Preinstalled heavy-duty casters, (2 braking and 2 non-braking) provide mobility for easy cleaning and maintenance

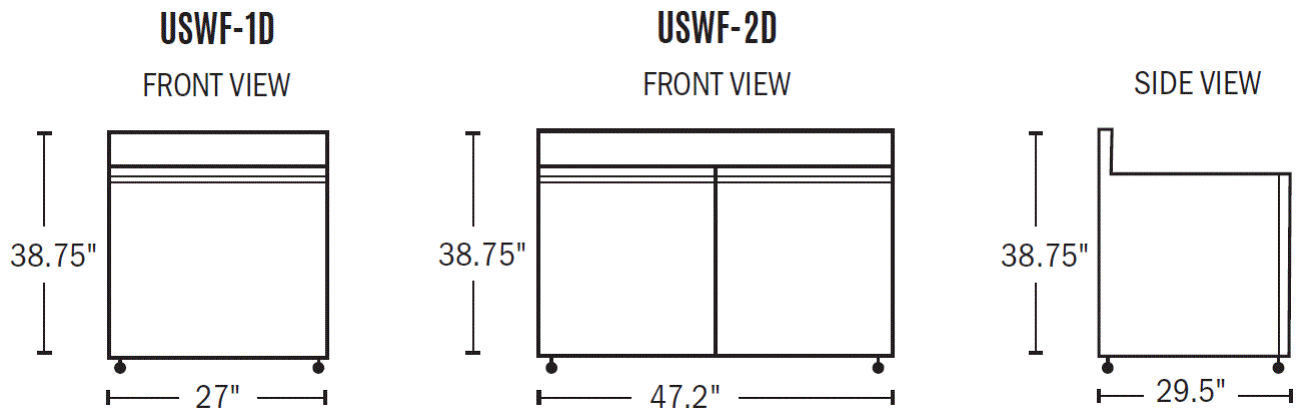


### Specifications



Model Number	USWF-1D	USWF-2D
Doors	1	2
Shelves	1	2
Net Volume (Cu. Ft.)	6.3 Cu. Ft.	12 Cu. Ft.
Horsepower	1/5	1/4+
Refrigerant	R290	R290
Voltage/Hertz/Phase	115/60/1	115/60/1
Amps	2.1	4.5
Overall Dimensions (in)	27" x 29.5" x 38.75"	47.2" x 29.5" x 38.75"
Net Weight (lbs)	144 lbs	227 lbs
Gross Weight (lbs)	188 lbs	271 lbs

## Plan Views



## Features

### Refrigeration System:

- Environmentally R290 refrigerant
- Removable installation board makes it easy to access condenser coil for cleaning and service
- Maintains a temperature range of -8°F - 0°F

### Electrical Control

- LED temperature display for easy viewing of internal temperature
- Electronic controls make it easy to adjust temperature set point and defrost frequency
- NEMA 5-15 Plug



### Cabinet Construction

- Stainless steel interior and exterior with aluminum backsplash
- Insulated throughout with foamed-in-place high density cell polyurethane insulation

### Doors

- Self-closing doors with a 90° “stay Open” feature keep the cold air in and the internal temperature constant

### Shelving

- Adjustable plastic-coated steel shelves that allow you to organize the interior to meet your needs

### Model Features

- Preinstalled heavy-duty casters provide mobility for easy cleaning and maintenance
- Spacious stainless steel worktop surface allows for easy and convenient food preparation
- Backsplash prevents ingredients and supplies from falling behind the unit while working